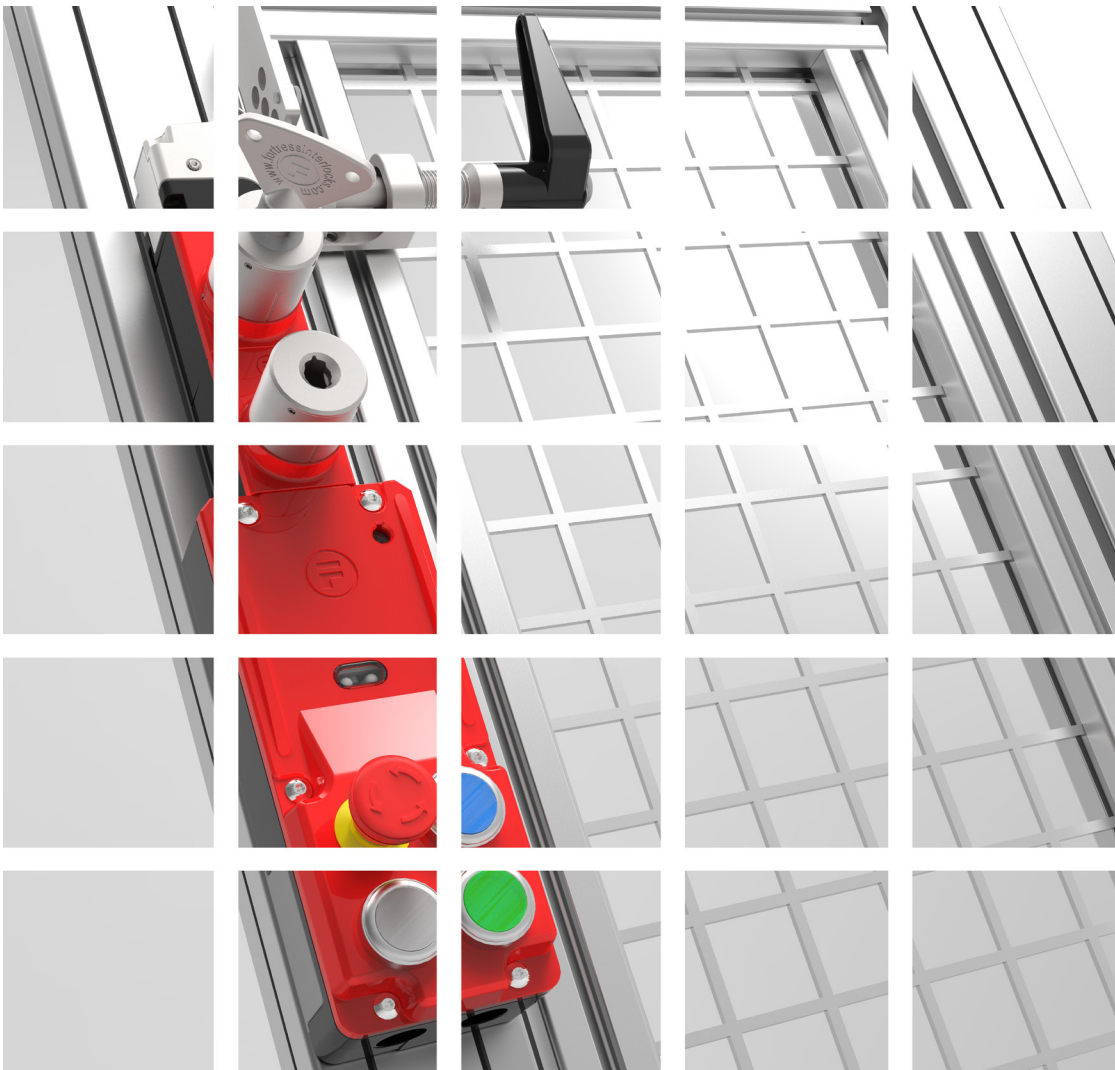


**am Gard**  
*pro* Modular Safety Gate Switches  
for Machine Guarding Applications

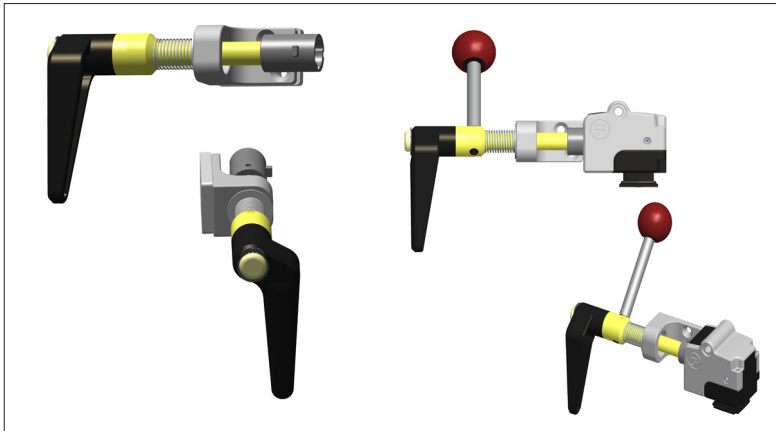


**amGard pro**

Ihr Partner  
für  
**Maschinensicherheit**  
aus einer Hand

**DEBRA GmbH** **Ingenieurbüro**  
J. Derichsweiler

Actuators



**proAM Handle**

**proAM Handle**

- Used in conjunction with *proAm* Head
- Heavy duty handle unit.
- Operating handle can be rotated in 45° increments.
- Allows for guard misalignment.
- Turning motion holds door closed preventing nuisance trips.
- Extremely high retention force when used in locking applications.

**proAM Handle Technical Specification**

Housing Materials	Zinc Alloy to BSEN12844 Stainless Steel to BS3146
Paint Finish	30% Gloss powder coat on pas-sivated zinc alloy
Colour	Black and Stainless Steel
Operating Force	0.5Nm
Retention Force (locked)	10,000N
Mechanical Life	>1,000,000 Switching Cycles
Maximum System Performance Level	PLe
B10d	5,000,000
Ambient Temperature	-5°C to 80°C (23°F to 176°F)

**proAM Handle Options**

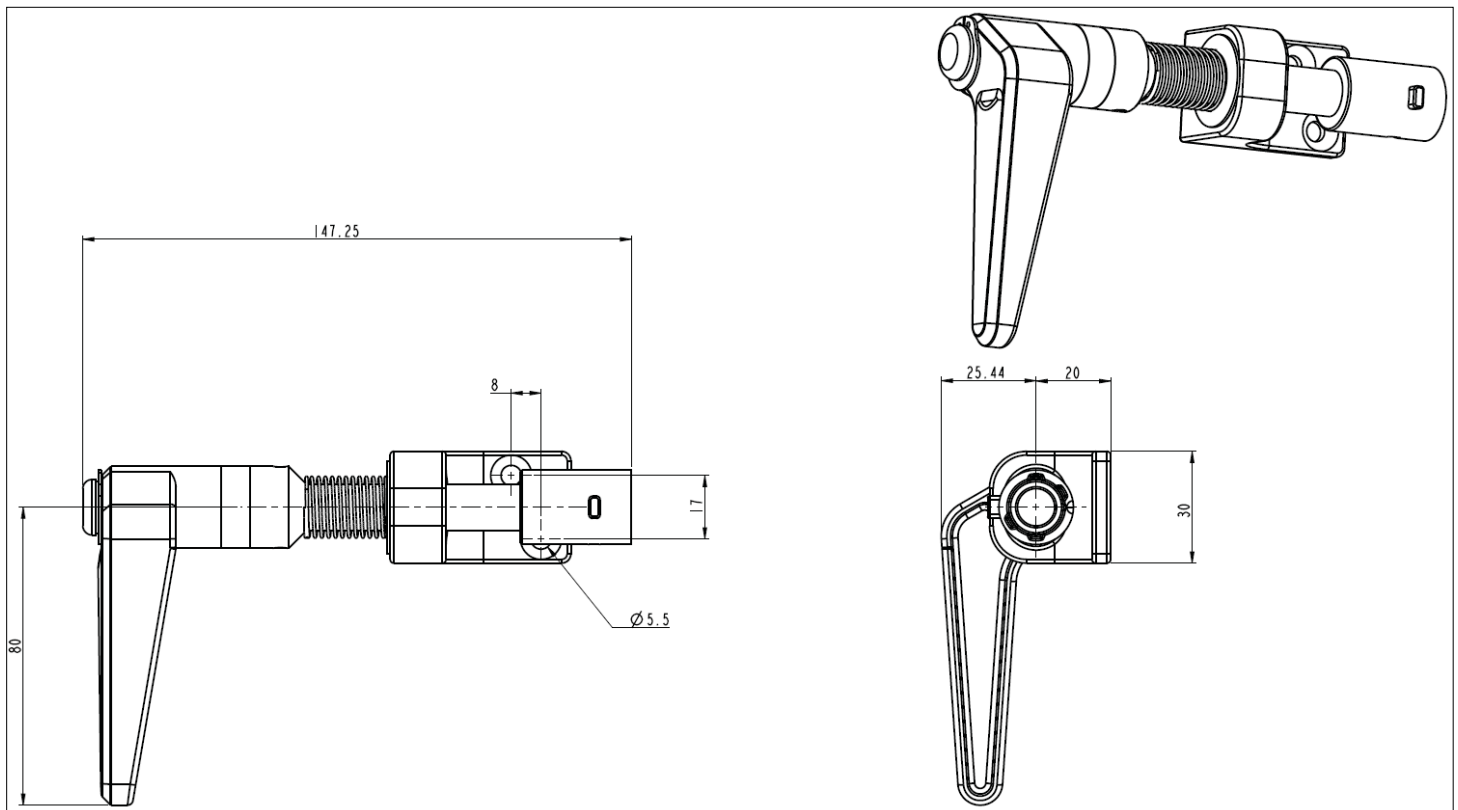
Part Number	Description
MA1	AM Handle Front Handing
MA2	AM Handle Left Handing
MA3	AM Handle Back Handing
MA4	AM Handle Right Handing
MI2	AM Handle with Internal Release - Left Handing
MI4	AM Handle with Internal Release - Right Handing

**proAM Handle Ordering Information**

Part No.	Item No.
MA1	ITM-00038861
MA2	ITM-00038814
MA3	ITM-00038862
MA4	ITM-00038859
MI2	ITM-00038815
MI4	ITM-00039565

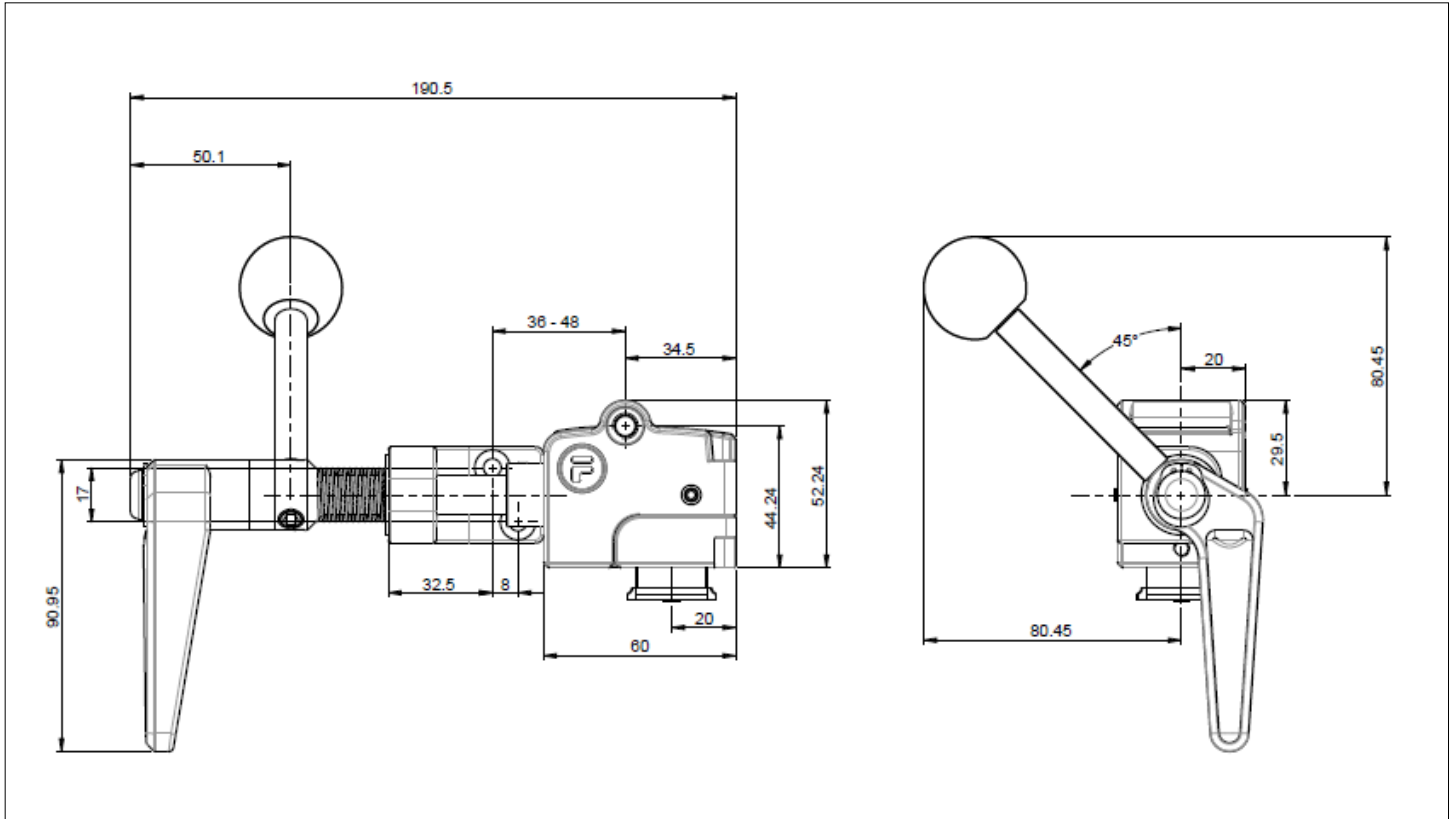
\* Item No. or Part No. can be quoted for quotation and ordering purposes

Dimensional Drawing



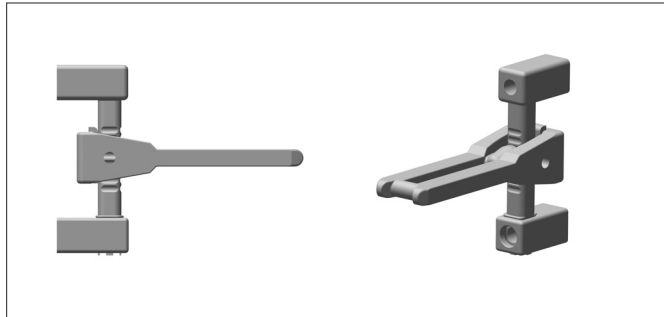
Actuators

*proAM* Handle



Actuators

**proAT Tongue**



**proAT Tongue**

- Used in conjunction with proAT Head
- Heavy duty tongue unit.
- Ideal for fast, frequent access.
- Operating radius:- 900mm
- 3 position fixing at 90° increments.
- Misalignment tolerance of +/- 12mm.
- 12mm Overtravel allowance.

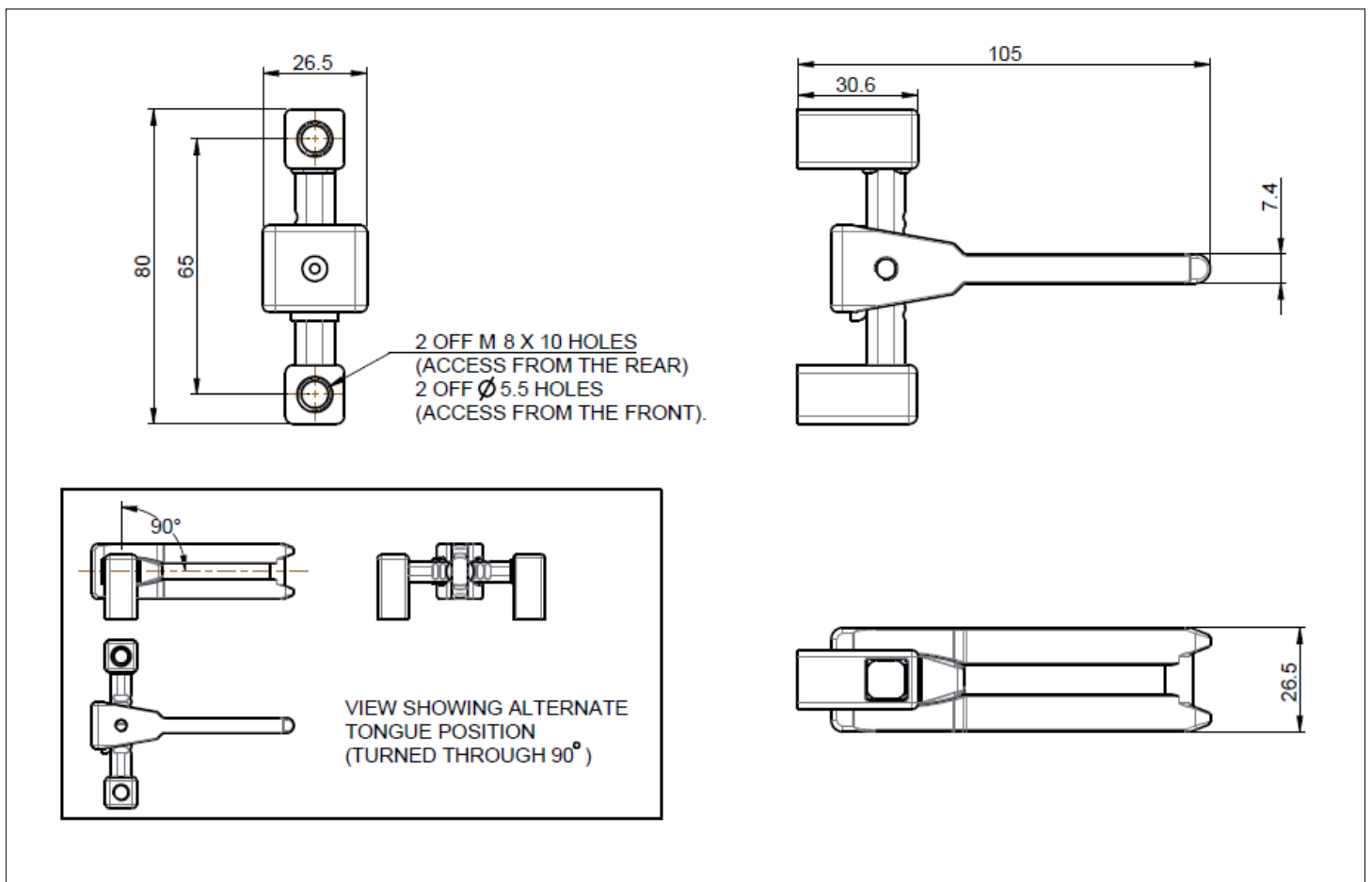
proAT Tongue Technical Specification	
Materials	Stainless Steel to BS3146
Operating Force	5N
Retention Force Locked	10,000N
Mechanical Life	>1,000,000 Switching Cycles
Performance Level	PLe
B10d	5,000,000
Ambient Temperature	-5°C to 80°C (23°F to 176°F)

proAT Tongue Options	
Part Number	Description
TA1	AT Tongue Front Handing
TA2	AT Tongue Left Handing
TA3	AT Tongue Back Handing
TA4	AT Tongue Right Handing

proAT Tongue Ordering Information	
Part No.	Item No.
TA1	ITM-00038780
TA2	ITM-00038806
TA3	ITM-00038807
TA4	ITM-00038808

\* Item No. or Part No. can be quoted for quotation and ordering purposes.

Dimensional Drawing

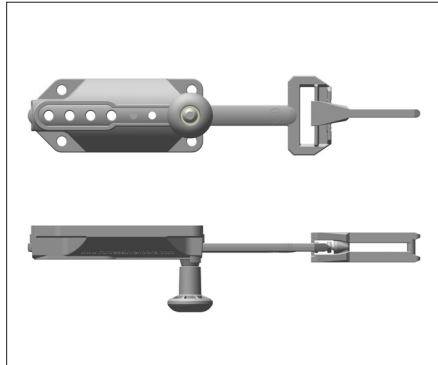


Actuators

**proSlidebar**

**proSlidebar**

- Used in conjunction with the “proAT Head”
- Particularly useful for application using small radius hinged doors
- Stainless steel casting
- Built in lock-out facility to accommodate a maximum of 4 padlocks with up to 8mm diameter shackles



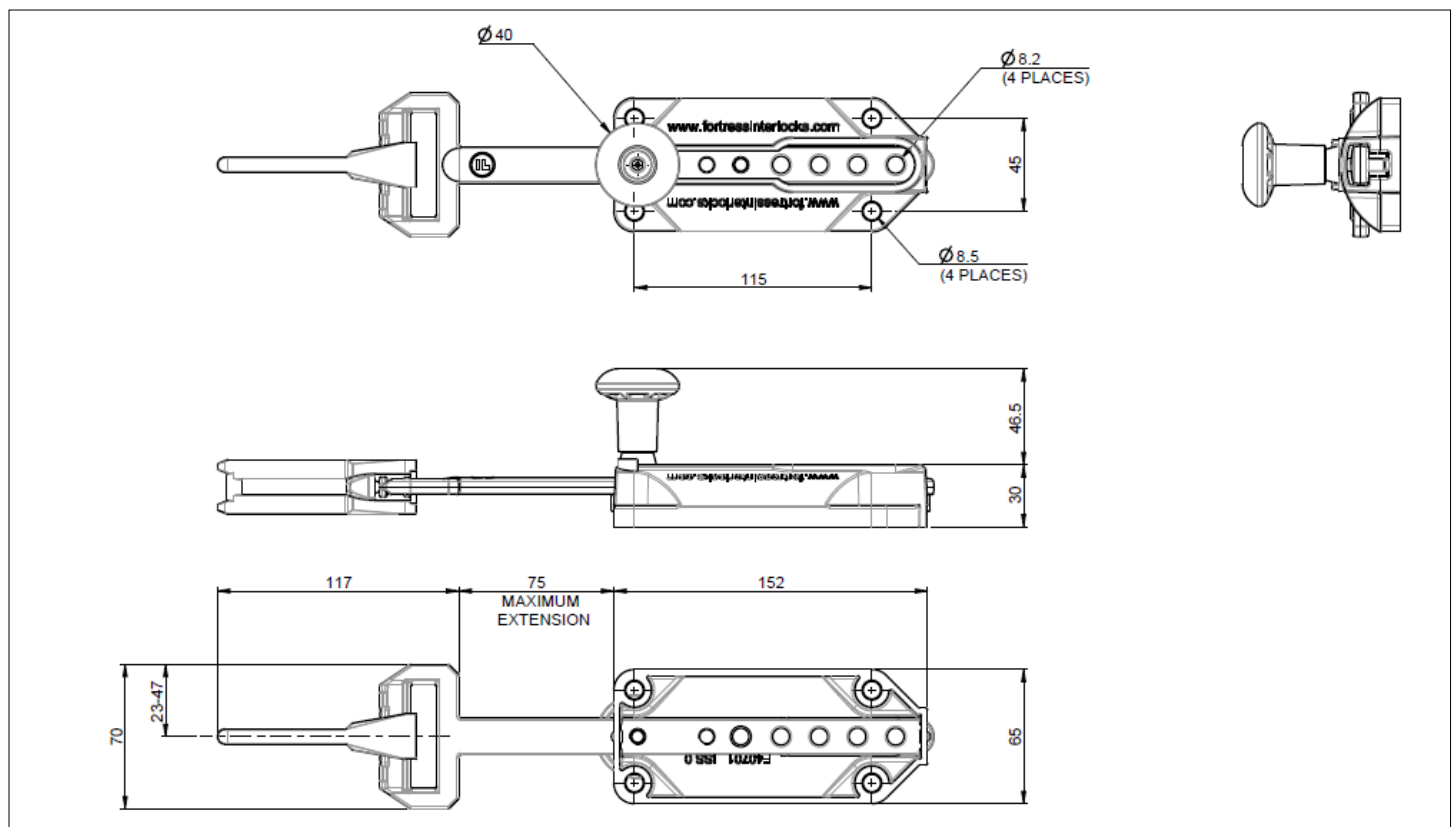
proSlidebar Technical Specification	
Housing Materials	Stainless Steel to BS3146
Colour	Stainless Steel
Operating Force (spring loaded)	12N
Retention Force (locked)	10,000N
Mechanical Life	>1,000,000 Switching Cycles
Performance Level	PLe
B10d	5,000,000
Ambient Temperature	-5°C to 80°C (23°F to 176°F)

proSlidebar Options					
Part Number	Description	Spring	Int.Handle	Handing	
T12	Slidebar		✓	Left	
T14	Slidebar		✓	Right	
TN2	Slidebar			Left	
TN4	Slidebar			Right	
TS2	Slidebar	✓		Left	
TS4	Slidebar	✓		Right	

proSlidebar Ordering Information	
Part No.	Item No.
T12	ITM-00038809
T14	ITM-00038853
TN2	ITM-00038810
TN4	ITM-00038855
TS2	ITM-00038812
TS4	ITM-00038857

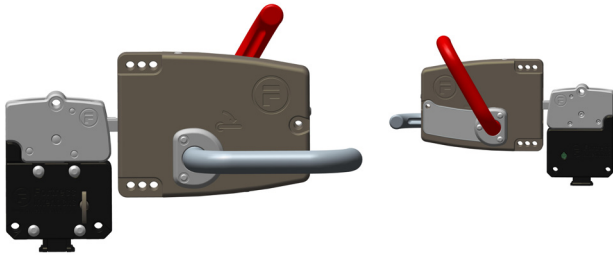
\* Item No. or Part No. can be quoted for quotation and ordering purposes.

Dimensional Drawing



Actuators

**proRelease - Single Action Releasing Head & Handle Combination**



proRelease is a means of achieving a single action emergency release function from inside a guarded area. It consists of a releasing head and handle pair, used where a traditional head and tongue would be used on a guard switch. Simply turning the red handle will affect an opening of the guard. Releasing versions of other modules are the type that **MUST** be used in conjunction with this module.

Image above is a EI416 (right handed)

**proRelease - Head & Handle Combination**

- Intuitive handle emergency release.
- Emergency release activation releases tongue and opens safety contacts.
- Built in lockout for 4 padlocks up to 8mm diameter
- Heavy duty tongue unit.
- Ideal for fast frequent access.
- 2 position mounting at 180° increments allowing on site handing change
- Misalignment tolerance of +/- 10mm.
- Multiple mounting options (refer to Installation Instructions).
- Pin Hex key reset function.
- Can be fitted with lock-out device for additional safety.

**NOTICE!**

If, as a result of risk assesment, it cannot be discounted that persons can be enclosed within a danger zone, the guard locks with additional removeable keys (safety keys) must be used or comparable measures must be taken - GS ET 19.

**proRelease Technical Specification**

Housing Materials	Zinc alloy to BSEN12844, Stainless Steel to BS3146
Internal Materials	
Paint Finish	Gloss powder coat on passivated zinc alloy
Colour	Black and Stainless Steel
Retention Force	10,000N
Operating Force	5NM
Mechanical Life	>1,000,000 Operating Cycles
Performance Level	PLe
B10d	5,000,000
Ambient Temperature	-5°C to 80°C (23°F to 176°F)

**proRelease IR Handle Options & Ordering Information**

Part Number	Item No.	Description
EI2	ITM-00038787	proIR Handle Left Handing
EI4	ITM-00038805	proIR Handle Right Handing

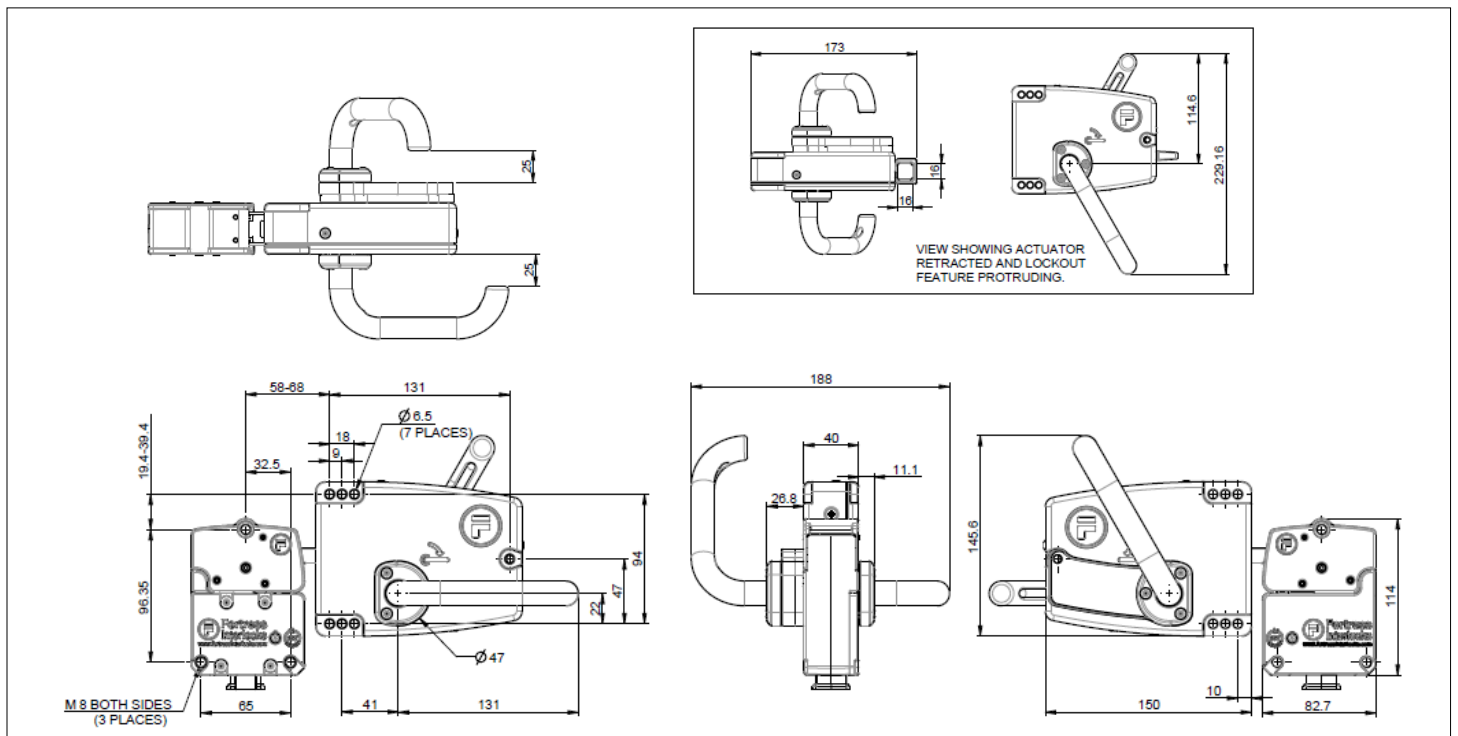
\* The Item No. or Part No. can be quoted for quotation and ordering purposes.

**proRelease Head Ordering Information**

Part No.	Item No.	Description
I6	ITM-00038840	All in one head
I7	ITM-00038842	All in one head c/w Drop Down Lock-Out

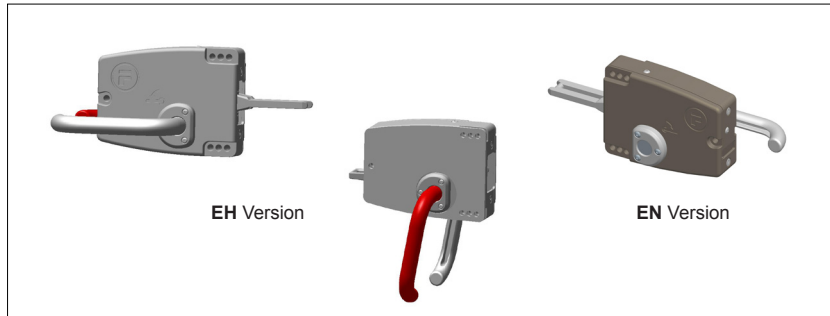
\* The Item No. or Part No. can be quoted for quotation and ordering purposes.

**Dimensional Drawing**



Actuators

proHandle



EH Version

EN Version

proHandle

- Used in conjunction with the proAT Head.
- Particularly useful for applications using small radius hinged doors.
- Intuitive opening style.
- Zinc alloy casing.
- Built in lock-out facility to accommodate a maximum of 4 padlocks with up to 8mm diameter shackles.
- Mis-alignment +/- 12mm.
- Escape release optional for use with non locking system (proStop) or push IR only.
- On site handing change possible (refer to Installation Instructions).

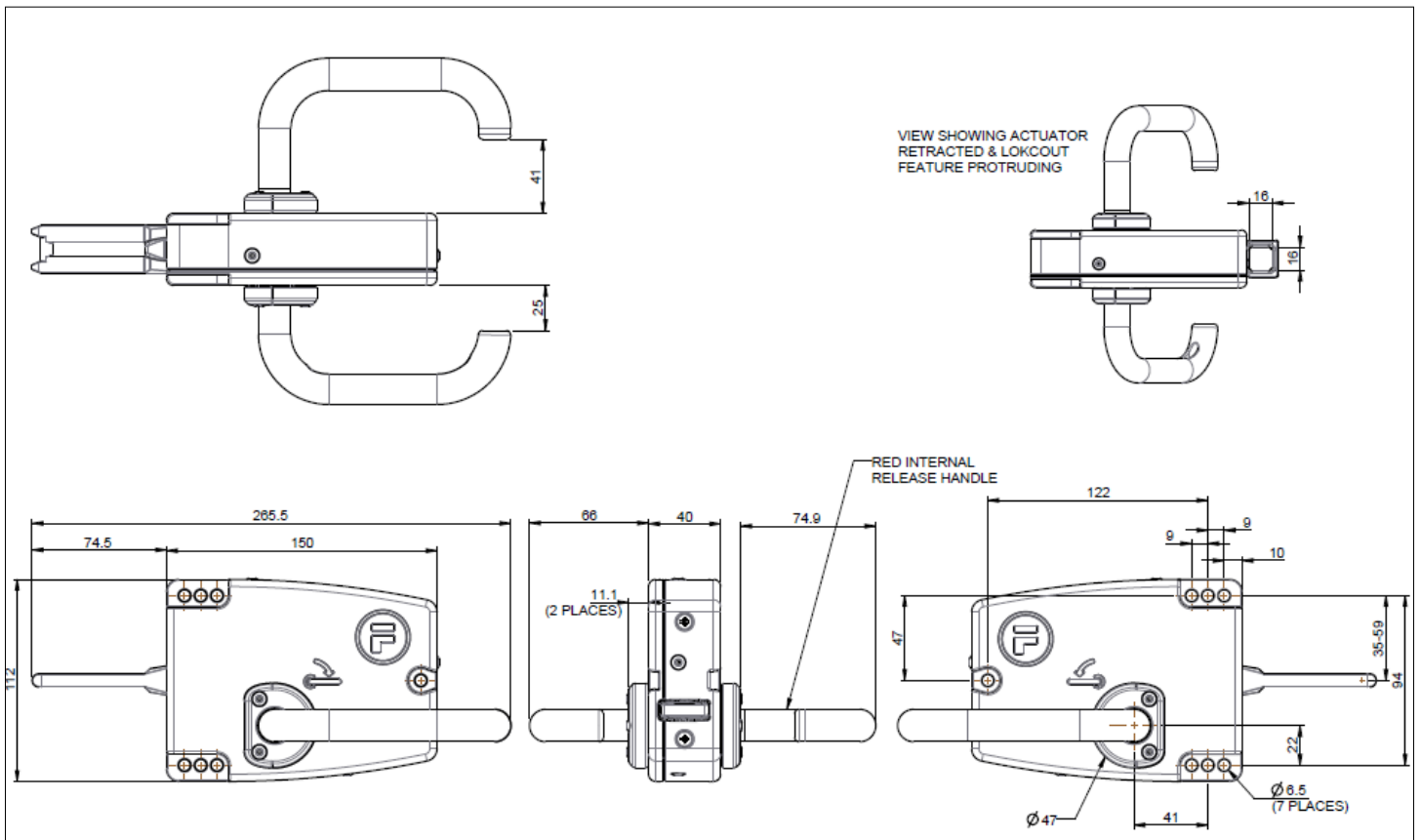
proHandle Technical Specification	
Housing Materials	Zinc alloy to BSEN12844
Internal Materials	Stainless Steel to BS3146
Colour	Bronze chrome
Operating Force	2NM
Retention Force (locked)	10,000N
Mechanical Life	>1,000,000 Operating Cycles
Performance Level	PLe
B10d	5,000,000
Ambient Temperature	-5°C to + 80°C (23°F to 176°F)

proHandle Options	
Part Number	Description
EH2	proHandle Left Handing
EH4	proHandle Right Handing
EN2	proHandle, no Internal Release - Left Handing
EN4	proHandle, no Internal Release - Right Handing

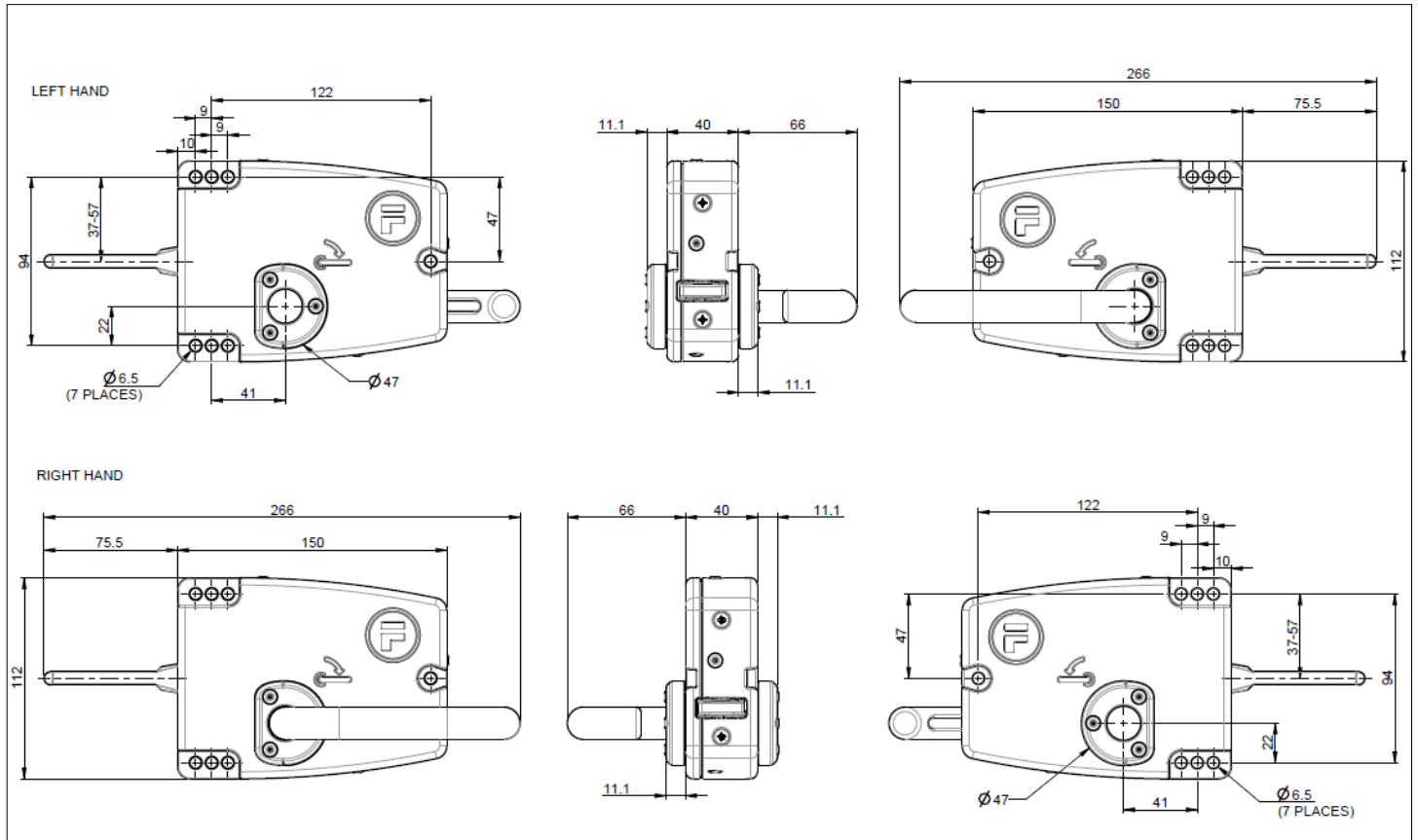
proHandle Ordering Information	
Part No.	Item No.
EH2	ITM-00038785
EH4	ITM-00038786
EN2	ITM-00040512
EN4	ITM-00040513

\* The Item No. or Part No. can be quoted for quotation and ordering purposes.

Dimensional Drawing - EH



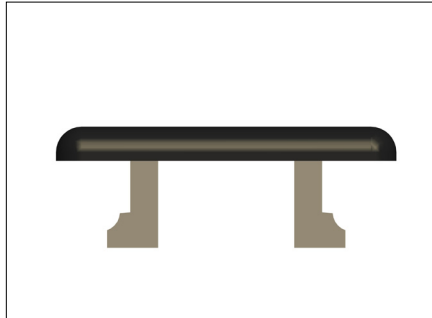
Dimensional Drawing - EN





Head Modules

**proCap**



**proCap**

To terminate assemblies without heads, for example solenoid controlled key release.

- Removeable to allow for modification.

**proCap Technical Specification**

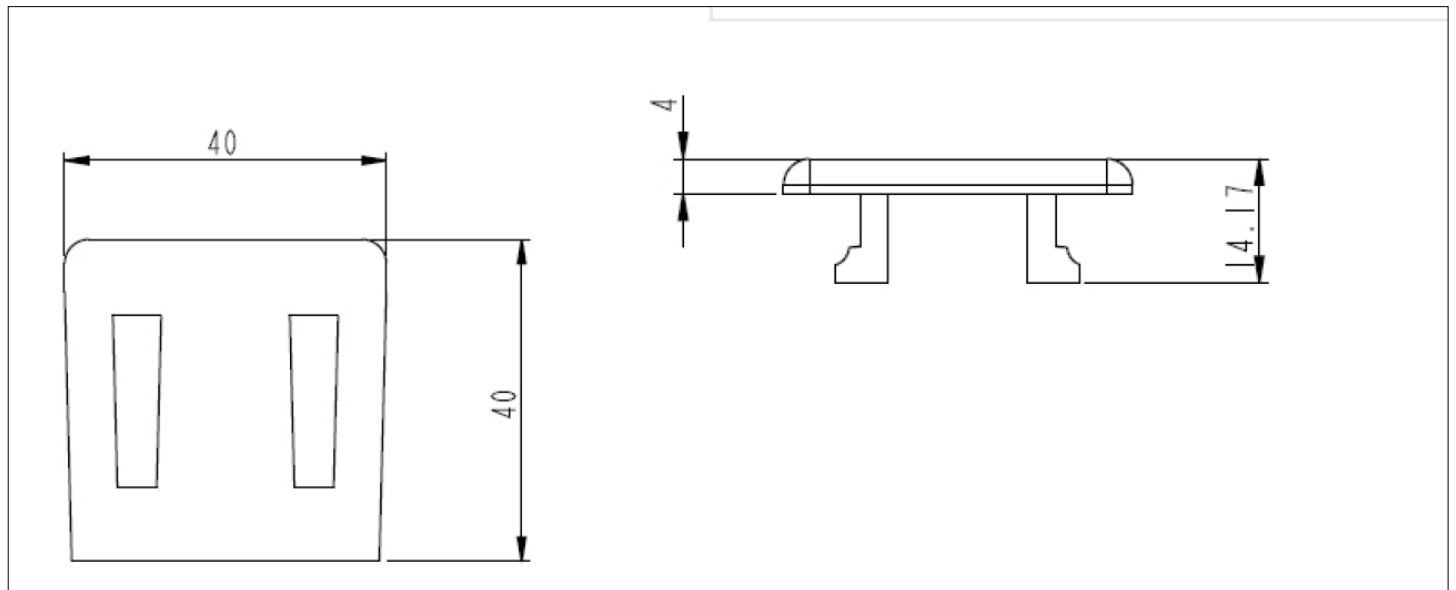
Materials	Stainless Steel to BS3146
Colour	Stainless Steel
Ambient Temperature	-5°C to 80°C (23°F to 176°F)

**proCap Ordering Information**

Version	Part No.	Item No.
Cap	C6	ITM-00038843

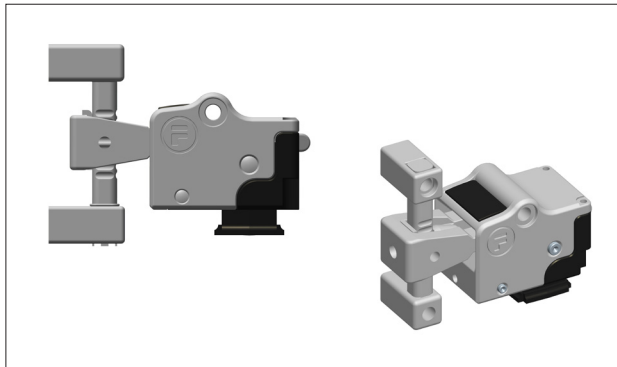
\* Item No. or Part No. can be quoted for quotation and ordering purposes.

**Dimensional Drawing**



Head Modules

proAT Head & Tongue Actuator



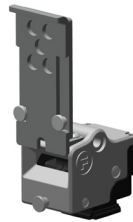
Images above show a TA2T6 (left handed)

proAT Head & Tongue Actuator

- Heavy duty tongue unit.
- Ideal for fast, frequent access.
- 4 position fixing at 90° increments allowing on site handing change.
- Misalignment tolerance of +/- 12mm.
- 12mm Overtravel allowance.
- Retention force 10,000N when top fixing is used.
- Can be fitted with lock-out devices for additional safety.
- Mounted upside down it is self cleaning, ideal for dusty environments.

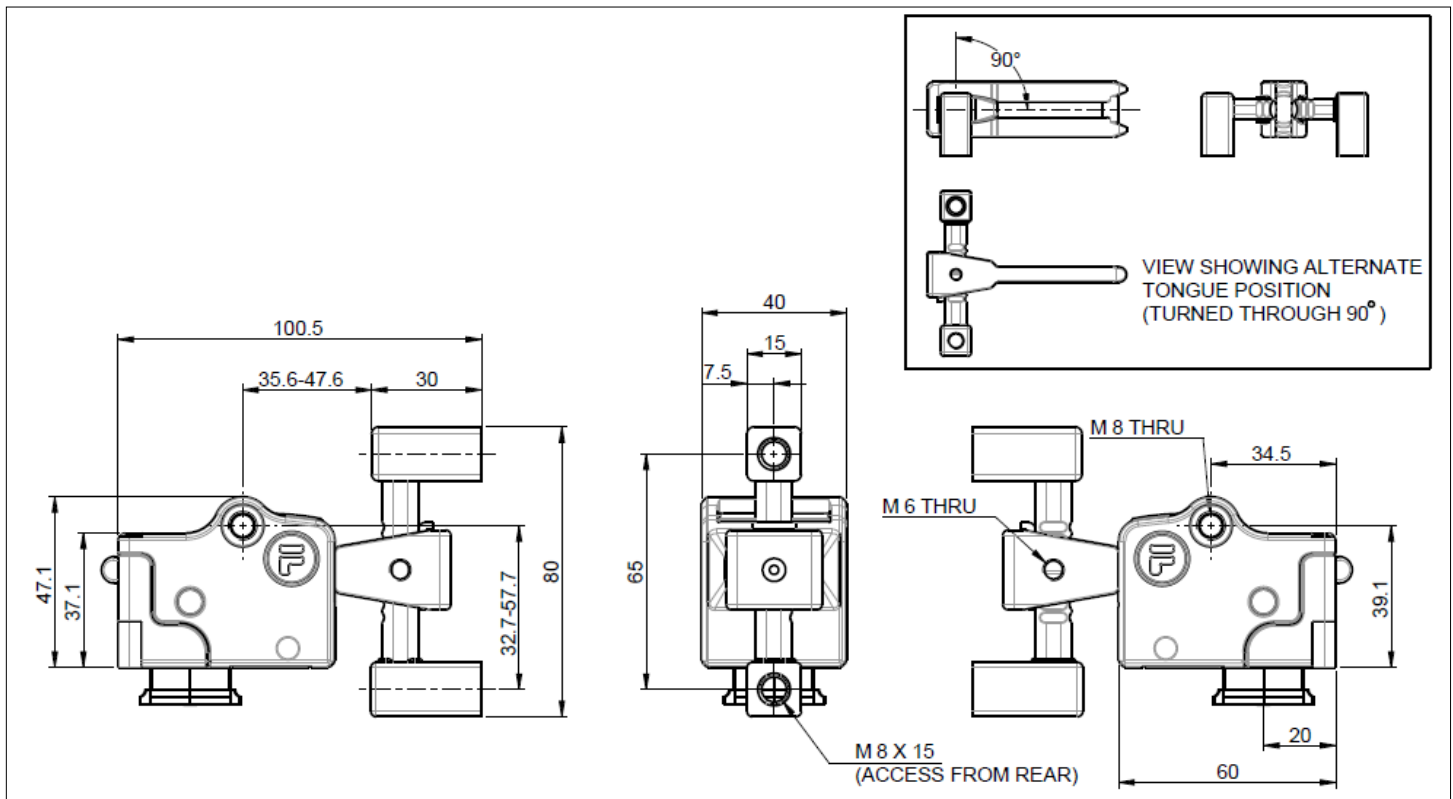
proAT Head & Tongue Technical Specification		proAT Head Options & Ordering Information		proAT Tongue Options & Ordering Information			
Housing Materials	Zinc Alloy to BSEN12844 Stainless Steel to BS3146	Part Number	Item No.	Description	Part No.	Item No.	Item No.
Paint Finish	Gloss powder coat on passivated zinc alloy	T6	ITM-00038819	proAT Head	TA1	AT Tongue Front Handing	ITM-00038780
Colour	Black and Stainless Steel	T7	ITM-00038824	proAT Head c/w Drop Down Lockout	TA2	AT Tongue Left Handing	ITM-00038806
Retention Force (locked)	10,000N	T8	ITM-00038830	proAT Head c/w ATL Lock-Out Clip	TA3	AT Tongue Back Handing	ITM-00038807
Mechanical Life	>1,000,000 Switching Cycles	* The Item No. or Part No. can be quoted for quotation and ordering purposes			TA4	AT Tongue Right Handing	ITM-00038808
Performance Level	PLe				* The Item No. or Part No. can be quoted for quotation and ordering purposes		
B10d	5,000,000						
Ambient Temperature	-5°C to 80°C (23°F to 176°F)						

proAT Head  
c/w Drop Down  
Lockout



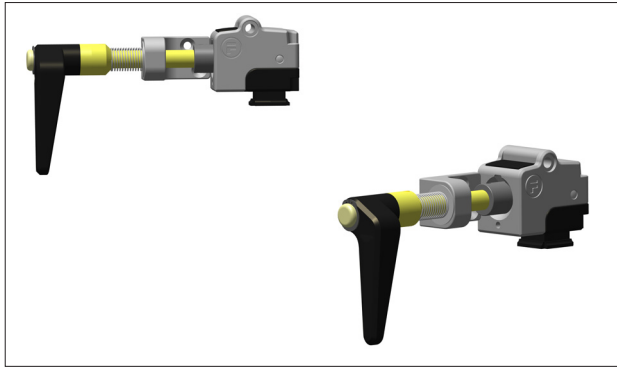
ATL Lock-Out Clip

Dimensional Drawing



Head Modules

proAM Head & Handle Actuator

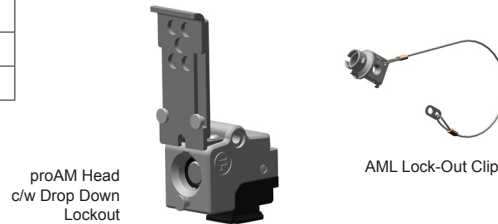


Images above show a MA2M6 (left handed)

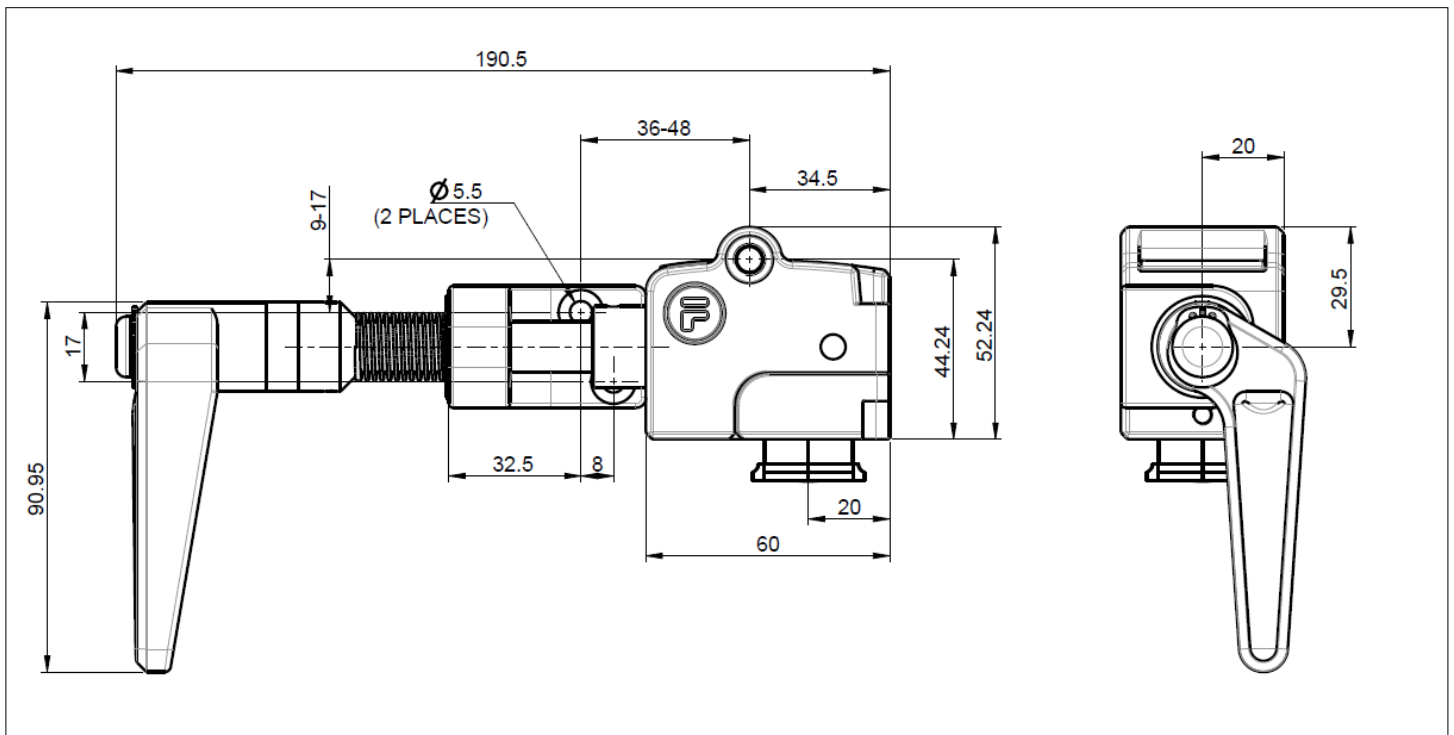
proAM Head & Handle Actuator

- Heavy duty handle unit.
- Operating handle can be rotated in 45° increments.
- 4 position fixing at 90° increments allowing on site handing change.
- Allows for guard misalignment.
- Turning motion holds door closed preventing nuisance trips.
- Extremely high retention force when used in locking applications - 10,000N.
- Can be fitted with lock-out devices for additional safety.

proAM Head & Handle Technical Specification		proAM Head Options & Ordering Information			proAM Handle Options & Ordering Information		
Housing Materials	Zinc Alloy to BSEN12844 Stainless Steel to BS3146	Part Number	Item No.	Description	Part No.	Item No.	Item No.
Paint Finish	Gloss powder coat on passivated zinc alloy	M6	ITM-00038832	proAM Head	MA1	AM Handle Front Handing	ITM-00038861
Colour	Black and Stainless Steel	M7	ITM-00038835	proAM Head c/w Drop Down Lockout	MA2	AM Handle Left Handing	ITM-00038814
Operating Force	0.5Nm	M8	ITM-00038837	proAM Head c/w AML Lock-Out Clip	MA3	AM Handle Back Handing	ITM-00038862
Retention Force (locked)	10,000N	* The Item No. or Part No. can be quoted for quotation and ordering purposes			MA4	AM Handle Right Handing	ITM-00038859
Mechanical Life	>1,000,000 Switching Cycles				MI2	AM Internal Release Handle - Left Handing	ITM-00038815
Performance Level	PLe				MI4	Am Internal Release Handle - Right Handing	ITM-00039565
B10d	5,000,000				* The Item No. or Part No. can be quoted for quotation and ordering purposes		
Ambient Temperature	-5°C to 80°C (23°F to 176°F)						

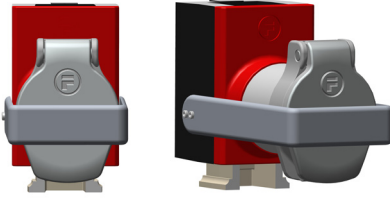


Dimensional Drawing



Adaptors

**proE** - Extracted Key Lock Adaptor for Safety



**proE** Extracted Key Lock Adaptor is used to add to an amGardpro unit, to include the provision of key control functionality. It can be used to provide an enhanced safety key function, where the door cannot be opened until the key has been removed from the lock. The releasing version of the extracted key adaptor is the type that **MUST** be used if used in conjunction with any type of internal release function (push IR) or all in one head module with IR Handle.

**proE - Extracted Key Lock Adaptor for Safety**

This unit ensures that the door cannot be opened until the key has been removed from the lock, and the machine/process cannot be restarted without returning the key(s). It can furthermore prevent personnel being accidentally locked inside a guarded area

- Provides unique link to mGard range.
- Only 1 Extracted key adaptor can be fitted in a configuration.

**proE Technical Specification**

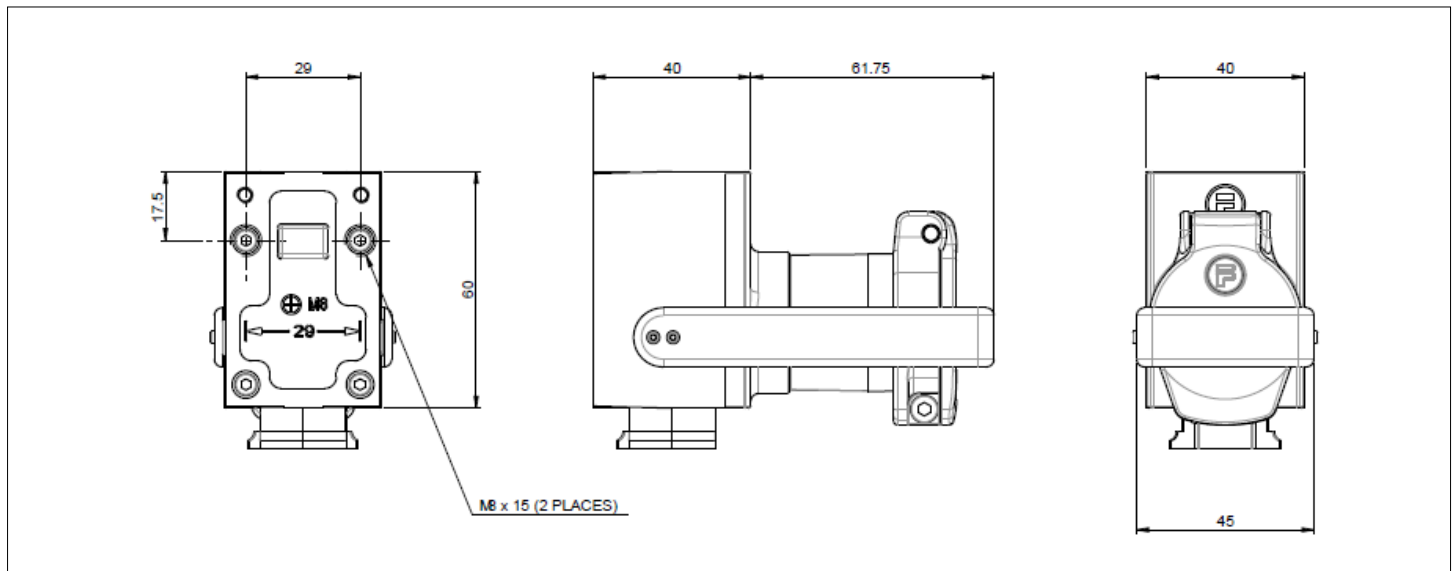
Housing Materials		Die-cast Zinc Alloy
Paint Finishes	Body	Black
	Lid	Red
	Lock	Satin Chrome Plated
	Lock Front	Stainless Steel
	Key Gate	Stainless Steel
Internals		All Stainless Steel
Mechanical Life		>1,000,000 Switching Cycles
Performance Level		PLe
B10d		5,000,000
Ambient Temperature		-5°C to 80°C (23°F to 176°F)
Lock Mechanism	CL / ML	Die-cast Zinc Body with Stainless Steel Operating mechanism.

**proE Ordering Information**

Version	Lock Type	Lock Description	Key	Part No.	Item No.
Standard	CLIS	Standard CL Lock with stainless steel dustcover	x	EKL2	ITM-00038865
Standard	MLIS	Masterable CL Lock with stainless steel dustcover	x	EKL7	ITM-00038877
Releasing	CLIS	Standard CL Lock with stainless steel dustcover	x	EKR2	ITM-00038886
Releasing	MLIS	Masterable CL Lock with stainless steel dustcover	x	EKR7	ITM-00038885
Standard	CLIS	Standard CL Lock with stainless steel dustcover	✓	ELL2	ITM-00038884
Standard	MLIS	Masterable CL Lock with stainless steel dustcover	✓	ELL7	ITM-00038883
Releasing	CLIS	Standard CL Lock with stainless steel dustcover	✓	ELR2	ITM-00038881
Releasing	MLIS	Masterable CL Lock with stainless steel dustcover	✓	ELR7	ITM-00038882

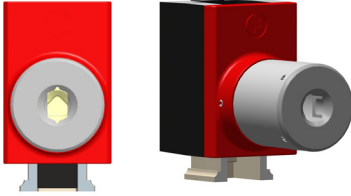
\* The Item No. or Part No. can be quoted for quotation and ordering purposes.

Dimensional Drawing



Adaptors

**proLock Adaptor - Lock Adaptor for Safety or Access**



**proLock** Adaptor module is used to add to an amGardpro unit, to include the provision of key control functionality. They can be used to provide the function of an access lock, or alternatively provide a safety key function. The releasing versions of the lock adaptors are the type that **MUST** be used in conjunction with any type of internal release function (push IR) or all in one head module with IR Handle.

**proLock - Adaptor for Safety**

This unit ensures that the door cannot be opened until the key has been turned, and the machine/process cannot be restarted without returning the key(s). It can furthermore prevent personnel being accidentally locked inside a guarded area.

- Provides a unique link to the mGard range.
- Up to 10 key adaptors in one configuration.
- Can be set up to release all keys at once (runner bar) or in sequence (cam).

**proLock - Adaptor for Access**

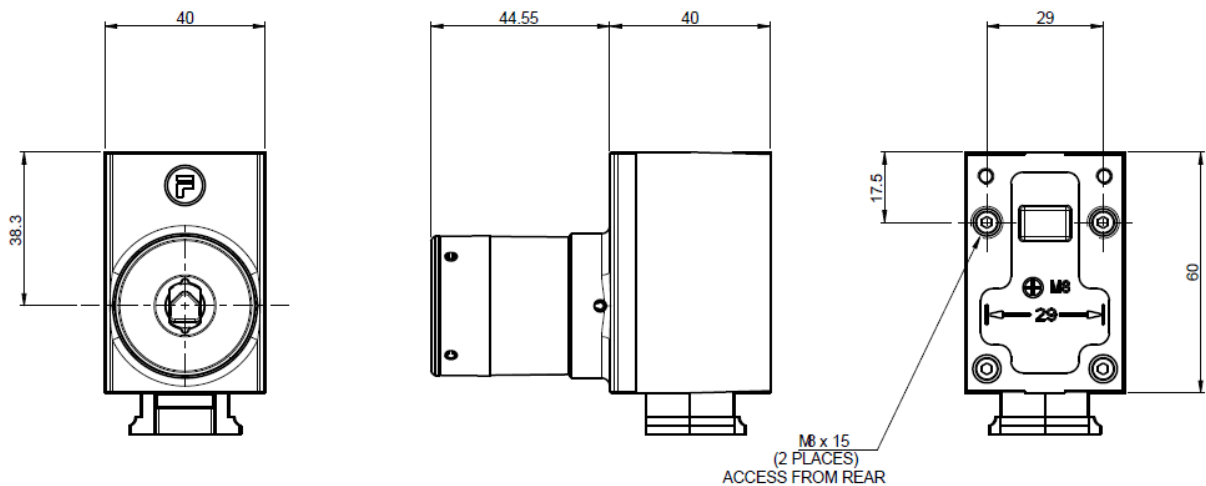
Ideally suited for authorised access only, or linked access to other machinery. Ensures a specific sequence of operation and can be stacked or combined with other adaptors.

- Provides a unique link to the mGard range.
- Up to 10 key adaptors in one configuration.

**proLock Adaptor Technical Specification**

Housing Materials		Die-cast Zinc Alloy
Paint Finishes	Body	Black
	Lid	Red
	Lock	Satin Chrome Plated
	Lock Front	Stainless Steel
Internals		All Stainless Steel
Mechanical Life		>1,000,000
Performance Level		PLe
B10d		5,000,000
Ambient Temperature		-5°C to 80°C (23°F to 176°F)

Dimensional Drawing



Adaptors

**proLock Adaptor - Lock Adaptor for Safety or Access**

<b>proLock - Access Adaptor Ordering Information</b>					
<b>Version</b>	<b>Lock Type</b>	<b>Lock Description</b>	<b>Key</b>	<b>Part No.</b>	<b>Item No.</b>
Standard	CLIN	Standard CL Lock no dustcover	x	AKL1	ITM-00038898
Standard	CLIS	Standard CL Lock with stainless steel dustcover	x	AKL2	ITM-00038959
Standard	CLIL	Standard CL Lock with stainless steel padlockable dustcover	x	AKL3	ITM-00038960
Standard	MLIN	Masterable CL Lock no dustcover	x	AKL6	ITM-00038961
Standard	MLIS	Masterable CL Lock with stainless steel dustcover	x	AKL7	ITM-00038962
Standard	MLIL	Masterable CL Lock with stainless steel padlockable dustcover	x	AKL8	ITM-00038963
Releasing	CLIN	Standard CL Lock with stainless steel dustcover	x	AKR1	ITM-00038964
Releasing	CLIS	Standard CL Lock with stainless steel dustcover	x	AKR2	ITM-00038965
Releasing	CLIL	Standard CL Lock with stainless steel padlockable dustcover	x	AKR3	ITM-00038966
Releasing	MLIN	Masterable CL Lock no dustcover	x	AKR6	ITM-00038967
Releasing	MLIS	Masterable CL Lock with stainless steel dustcover	x	AKR7	ITM-00038969
Releasing	MLIL	Masterable CL Lock with stainless steel padlockable dustcover	x	AKR8	ITM-00038970
Standard	CLIN	Standard CL Lock no dustcover	✓	ALL1	ITM-00038971
Standard	CLIS	Standard CL Lock with stainless steel dustcover	✓	ALL2	ITM-00038972
Standard	CLIL	Standard CL Lock with stainless steel padlockable dustcover	✓	ALL3	ITM-00038973
Standard	MLIN	Masterable CL Lock no dustcover	✓	ALL6	ITM-00038974
Standard	MLIS	Masterable CL Lock with stainless steel dustcover	✓	ALL7	ITM-00038975
Standard	MLIL	Masterable CL Lock with stainless steel padlockable dustcover	✓	ALL8	ITM-00038976
Releasing	CLIN	Standard CL Lock no dustcover	✓	ALR1	ITM-00038977
Releasing	CLIS	Standard CL Lock with stainless steel dustcover	✓	ALR2	ITM-00038979
Releasing	CLIL	Standard CL Lock with stainless steel padlockable dustcover	✓	ALR3	ITM-00038985
Releasing	MLIN	Masterable CL Lock no dustcover	✓	ALR6	ITM-00038986
Releasing	MLIS	Masterable CL Lock with stainless steel dustcover	✓	ALR7	ITM-00038987
Releasing	MLIL	Masterable CL Lock with stainless steel padlockable dustcover	✓	ALR8	ITM-00038988

\*Releasing versions are they type that MUST be used if used in conjunction with any type of internal release function (push IR) or all in one head module with IR Handle.

\*The Item No. or Part No. can be quoted for quotation and ordering purposes.

Adaptors

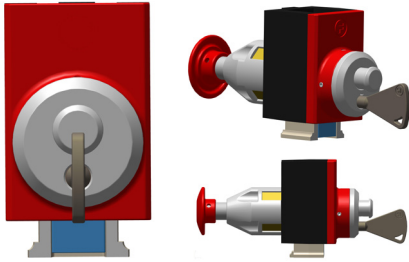
proLock Adaptor - Lock Adaptor for Safety or Access

proLock - Safety Adaptor Ordering Information						
Version	Key Sequence	Lock Type	Lock Description	Key	Part No.	Item No.
Standard	Cam	CLIN	Standard CL Lock no dustcover	x	SCL1	ITM-00038887
Standard	Cam	CLIS	Standard CL Lock with stainless steel dustcover	x	SCL2	ITM-00038901
Standard	Cam	CLIL	Standard CL Lock with stainless steel padlockable dustcover	x	SCL3	ITM-00038902
Standard	Cam	MLIN	Masterable CL Lock no dustcover	x	SCL6	ITM-00038903
Standard	Cam	MLIS	Masterable CL Lock with stainless steel dustcover	x	SCL7	ITM-00038904
Standard	Cam	MLIL	Masterable CL Lock with stainless steel padlockable dustcover	x	SCL8	ITM-00038906
Releasing	Cam	CLIN	Standard CL Lock with stainless steel dustcover	x	SCR1	ITM-00038908
Releasing	Cam	CLIS	Standard CL Lock with stainless steel dustcover	x	SCR2	ITM-00038931
Releasing	Cam	CLIL	Standard CL Lock with stainless steel padlockable dustcover	x	SCR3	ITM-00038932
Releasing	Cam	MLIN	Masterable CL Lock no dustcover	x	SCR6	ITM-00038933
Releasing	Cam	MLIS	Masterable CL Lock with stainless steel dustcover	x	SCR7	ITM-00039541
Releasing	Cam	MLIL	Masterable CL Lock with stainless steel padlockable dustcover	x	SCR8	ITM-00038934
Standard	Cam	CLIN	Standard CL Lock no dustcover	✓	SDL1	ITM-00038914
Standard	Cam	CLIS	Standard CL Lock with stainless steel dustcover	✓	SDL2	ITM-00038916
Standard	Cam	CLIL	Standard CL Lock with stainless steel padlockable dustcover	✓	SDL3	ITM-00038917
Standard	Cam	MLIN	Masterable CL Lock no dustcover	✓	SDL6	ITM-00038918
Standard	Cam	MLIS	Masterable CL Lock with stainless steel dustcover	✓	SDL7	ITM-00038919
Standard	Cam	MLIL	Masterable CL Lock with stainless steel padlockable dustcover	✓	SDL8	ITM-00038922
Releasing	Cam	CLIN	Standard CL Lock no dustcover	✓	SDR1	ITM-00038943
Releasing	Cam	CLIS	Standard CL Lock with stainless steel dustcover	✓	SDR2	ITM-00038944
Releasing	Cam	CLIL	Standard CL Lock with stainless steel padlockable dustcover	✓	SDR3	ITM-00038945
Releasing	Cam	MLIN	Masterable CL Lock no dustcover	✓	SDR6	ITM-00038947
Releasing	Cam	MLIS	Masterable CL Lock with stainless steel dustcover	✓	SDR7	ITM-00038949
Releasing	Cam	MLIL	Masterable CL Lock with stainless steel padlockable dustcover	✓	SDR8	ITM-00038952
Standard	Runner Bar	CLIN	Standard CL Lock no dustcover	x	SKL1	ITM-00038909
Standard	Runner Bar	CLIS	Standard CL Lock with stainless steel dustcover	x	SKL2	ITM-00038910
Standard	Runner Bar	CLIL	xStandard CL Lock with stainless steel padlockable dustcover	x	SKL3	ITM-00038911
Standard	Runner Bar	MLIN	Masterable CL Lock no dustcover	x	SKL6	ITM-00038912
Standard	Runner Bar	MLIS	Masterable CL Lock with stainless steel dustcover	x	SKL7	ITM-00038913
Standard	Runner Bar	MLIL	Masterable CL Lock with stainless steel padlockable dustcover	x	SKL8	ITM-00038920
Releasing	Runner Bar	CLIN	Standard CL Lock no dustcover	x	SKR1	ITM-00038936
Releasing	Runner Bar	CLIS	Standard CL Lock with stainless steel dustcover	x	SKR2	ITM-00038937
Releasing	Runner Bar	CLIL	Standard CL Lock with stainless steel padlockable dustcover	x	SKR3	ITM-00038939
Releasing	Runner Bar	MLIN	Masterable CL Lock no dustcover	x	SKR6	ITM-00038940
Releasing	Runner Bar	MLIS	Masterable CL Lock with stainless steel dustcover	x	SKR7	ITM-00038941
Releasing	Runner Bar	MLIL	Masterable CL Lock with stainless steel padlockable dustcover	x	SKR8	ITM-00038942
Standard	Runner Bar	CLIN	Standard CL Lock no dustcover	✓	SLL1	ITM-00038923
Standard	Runner Bar	CLIS	Standard CL Lock with stainless steel dustcover	✓	SLL2	ITM-00038924
Standard	Runner Bar	CLIL	Standard CL Lock with stainless steel padlockable dustcover	✓	SLL3	ITM-00038925
Standard	Runner Bar	MLIN	Masterable CL Lock no dustcover	✓	SLL6	ITM-00038926
Standard	Runner Bar	MLIS	Masterable CL Lock with stainless steel dustcover	✓	SLL7	ITM-00038927
Standard	Runner Bar	MLIL	Masterable CL Lock with stainless steel padlockable dustcover	✓	SLL8	ITM-00038928
Releasing	Runner Bar	CLIN	Standard CL Lock no dustcover	✓	SLR1	ITM-00038953
Releasing	Runner Bar	CLIS	Standard CL Lock with stainless steel dustcover	✓	SLR2	ITM-00038954
Releasing	Runner Bar	CLIL	Standard CL Lock with stainless steel padlockable dustcover	✓	SLR3	ITM-00038955
Releasing	Runner Bar	MLIN	Masterable CL Lock no dustcover	✓	SLR6	ITM-00038956
Releasing	Runner Bar	MLIS	Masterable CL Lock with stainless steel dustcover	✓	SLR7	ITM-00038957
Releasing	Runner Bar	MLIL	Masterable CL Lock with stainless steel padlockable dustcover	✓	SLR8	ITM-00038958

\* Releasing versions are they type that MUST be used if used in conjunction with any type of internal release function (push IR) or all in one head module with IR Handle.  
 \* Cam Key Sequence - Sequential release of keys.  
 \* Runner Bar Sequence - Keys freed in any sequence.  
 \* The Item No. or Part No. can be quoted for quotation and ordering purposes.

Adaptors

**proIR** - Escape Release Adaptor



**proIR** Escape Release Adaptor module is used in conjunction with a releasing amGardpro unit, to provide an escape function from an interlocked hazardous area. There are two versions, one with a key reset (complying with the latest safety standards) and one with a simple pull reset. The other option is the length of plunger needed to clear the door post thickness. This unit must always be mounted as the first module under the head.

**proIR - Escape Release Adaptor**

This unit ensures that safe escape can be made through the door, which will activate the safety switch circuits (when fitted to the appropriate host unit) regardless of the locking action of any solenoid or lock being fitted.

- Only 1 *proIR* adaptor can be fitted in a configuration.
- *proIR* Adaptor must be used in conjunction with 'releasing' type units in the amGardpro range.

**proIR Technical Specification**

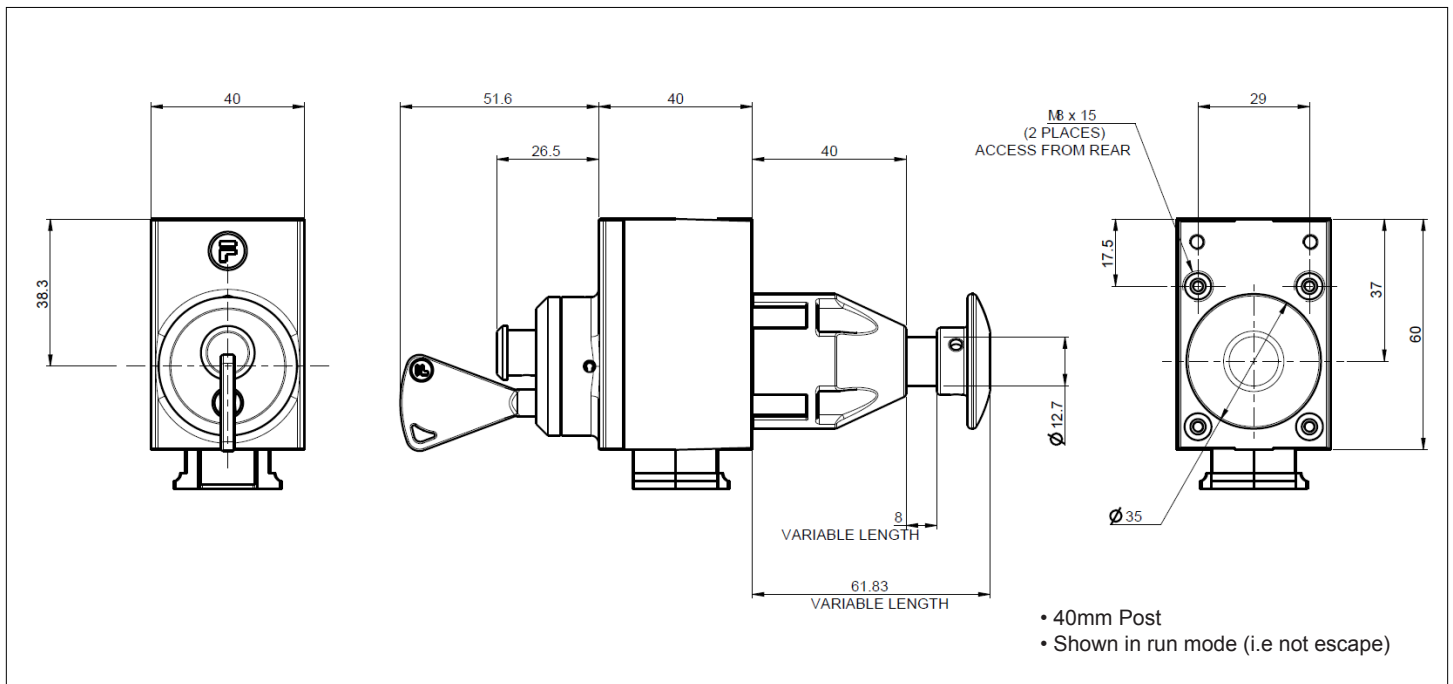
Housing Materials		Die-cast Zinc Alloy
Paint Finishes	Body	Black
	Lid	Red
	Lock Front	Stainless Steel
	Plunger Mechanism	Stainless Steel
Internals		All Stainless Steel
Mechanical Life		>1,000,000
Performance Level		PLe
B10d		5,000,000
Ambient Temperature		-5°C to 80°C (23°F to 176°F)

**proIR Ordering Information**

Version	Post Thickness	Part No.	Item No.
Key Reset	40mm	R1	ITM-00039395
Key Reset	60mm	R2	ITM-00039396
Key Reset	80mm	R3	ITM-00039397
Key Reset	Variable	R4	ITM-00039398
Pull Reset	40mm	R6	ITM-00039399
Pull Reset	60mm	R7	ITM-00039400
Pull Reset	80mm	R8	ITM-00039401
Pull Reset	Variable	R9	ITM-00039402

\* Item No. or Part No. can be quoted for quotation or ordering purposes.

Dimensional Drawing





Electrical Switching / Locking

**proLok+** - Extended Solenoid Controlled Body including extra control functionality  
- Standard, Power to Lock and ASi



**proLok+** Extended Solenoid Controlled Body is used to manage activities by means of a solenoid control element. There are three basic types, Standard, Power to Lock and ASi. It may be used to include the use of pushbuttons, selector switches, lamps, E-Stops, and/or Magnetic/RFID sensors within one enclosure.

**NOTE!** Standard, Power to Lock and ASi body types have 2 derivatives, normal and releasing. The releasing version is the type that **MUST** be used if used in conjunction with any type of internal release function (push I/R) or all in one head module with IR Handle.

proLok+ - Standard	proLok+ - Power to Lock	proLok+ - AS-interface	proLok+ - Un-Monitored Solenoid
<p>On supplying power to the solenoid the unit becomes unlocked. This is the recommended set up for most machine guarding applications. A special key driven override facility is included to unlock the unit in the event of a power failure. Available in Standard and Releasing Versions.</p> <ul style="list-style-type: none"> <li>• Ideal for machines with run-down cycles</li> <li>• LED indicators for status identification.</li> <li>• Split voltage available on request.</li> <li>• To be used with safety relay and/or safety PLC control systems.</li> </ul>	<p>On supplying power to the solenoid the unit becomes locked. This is not the recommended set up for most machine guarding applications. However, it allows faster access and exit in the event of a power failure. Available in Standard and Releasing Versions.</p> <ul style="list-style-type: none"> <li>• LED indicators for status identification.</li> <li>• Split voltage available on request.</li> <li>• To be used with safety relay and/or safety PLC control systems.</li> </ul>	<p>On supplying power to the solenoid the unit becomes unlocked. This is the recommended set up for most machine guarding applications. A special key driven override facility is included to unlock the unit in the event of a power failure. Available in Standard and Releasing Versions.</p> <ul style="list-style-type: none"> <li>• Ideal for machines with run-down cycles</li> <li>• LED indicators for status identification</li> <li>• To be used with safety relay and/or safety PLC control systems.</li> <li>• For use in AS-i Safe environments</li> </ul>	<p>On supplying power to the solenoid the unit becomes unlocked, however only a single monitoring contact is closed. This is a popular configuration for where the solenoid performs a process control rather than safety function. A special key driven override facility is included to unlock the unit in the event of a power failure. Available in Standard and Releasing Versions.</p> <ul style="list-style-type: none"> <li>• LED indicators for status identification.</li> <li>• To be used with safety relay and/or safety PLC control systems.</li> </ul>

Approvals



proLok+ Technical Specification		Standard proLok	Power to Lock proLok	ASi proLok	Un-Monitored Solenoid proLok
Housing Materials	Zinc Alloy to BSEN12844	•	•	•	•
Paint Finishes	Gloss Powder Coat on Passivated Base Material	•	•	•	•
Ingress Protection	IP67	•	•	•	•
Mechanical Life	>1,000,000 Switching Cycles	•	•	•	•
Performance Level		PLe	PLc to PLe*	PLe	PLc to PLe*
Ambient Temperature	-5°C to + 40°C (23°F to 104°F)	•	•	•	•
Switches Conformance	DIN VDE 0060 Part 206 & IEC 947-5-1	•	•	•	•
Actuator Contact		2NC 1NO	2NC 1NO	2NC 1NO	2NC 1NO
Solenoid Contacts		2NC 1NO	1NO	2NC 1NO	1NO
Safety Circuit Switching Principal	Positive Break	•	•	•	•
Maximum Switch Current	3A	•	•	•	•
Minimum Switch Current	1mA at 5 VDC	•	•	•	•
Maximum Switching Voltage	230V AC Max	•	•	•	•
Control Voltages	24V ac/dc, 110V ac, 230V ac	•	•	•	•
Solenoid Power Rating	12W (Solenoid current at Nominal 24V dc = 500mA, Quasient current = 350mA).	•	•	•	•
Solenoid Rating (Duty Cycle)	100%	•	•	•	•
Solenoid Voltage	24V ac/dc, 110V ac, 230V ac	•	•	•	•
Solenoid Voltage Tolerance	90% to 110% of nominal	•	•	•	•
Connector Type	M12 male			•	
Cable Size	26 - 14 AWG	•	•		•
B10d	5,000,000	•	•	•	•
Quick Disconnects*	Various Options	•	•		•

\* depending on application

**NOTICE!**

If, as a result of risk assesment, it cannot be discounted that persons can be enclosed within a danger zone, the guard locks with additional removeable keys (safety keys) must be used or comparable measures must be taken - GS ET 19.

proLok+ Option Pod Technical Specification		Lamps	Push button	Sensor
Performance Level	PLe			•
B10d	7,300,000			•
Connector Type	Spring Activated Vibration Proof Block	•	•	•
Control Voltages	24V DC	•	•	•
Lamp Life	100,000 hrs on time	•	•	
Switches Conformance	DIN VDE 0060 Part 206 & IEC 947-5-1		•	
Switching Contact Element	Emergency Stop - 2NC		•	
	Pushbutton - 1NO		•	
	RFID - 2NC 1NO			•
EStop Switching Principle	Positive Break		•	
				•

Electrical Switching / Locking

**proLok+** - Extended Solenoid Controlled Body including extra control functionality  
- Standard, Power to Lock and ASI

proLok+ Ordering Information					
Version	Control Voltage	Solenoid Voltage	Sourcing*	Part No.	Item No.
Standard	24V AC/DC	24V AC/DC	✓	LL411	ITM-00039225
Standard	110V AC	110V AC	✓	LL111	ITM-00039215
Standard	230V AC	230V AC	✓	LL211	ITM-00039221
Standard - Releasing	24V AC/DC	24V AC/DC	✓	LR411	ITM-00039307
Standard - Releasing	110V AC	110V AC	✓	LR111	ITM-00039298
Standard - Releasing	230V AC	230V AC	✓	LR211	ITM-00039304
Power to Lock	24V AC/DC	24V AC/DC	✓	LL461	ITM-00040060
Power to Lock	110V AC	110V AC	✓	LL161	ITM-00040061
Power to Lock - Releasing	24V AC/DC	24V AC/DC	✓	LR461	ITM-00040062
Power to Lock - Releasing	110V AC	110V AC	✓	LR161	ITM-00040063
ASI	24V AC/DC	24V AC/DC	N/A	LL811	ITM-00039238
ASI - Releasing	24V AC/DC	24V AC/C	N/A	LR811	ITM-00039321
Un-Monitored Solenoid	24V AC/DC	24V AC/DC	✓	LL416	ITM-00039229
Un-Monitored Solenoid	110V AC	110V AC	✓	LL116	ITM-00039219
Un-Monitored Solenoid	230V AC	230V AC	✓	LL216	ITM-00039224
Un-Monitored Solenoid - Releasing	24V AC/DC	24V AC/DC	✓	LR416	ITM-00039312
Un-Monitored Solenoid - Releasing	110V AC	110V AC	✓	LR116	ITM-00039302
Un-Monitored Solenoid - Releasing	230V AC	230V AC	✓	LR216	ITM-00039306

\* Sourcing output supplied as standard, Sinking option available on request  
\* The Item No. or Part No. can be quoted for quotation and ordering purposes.

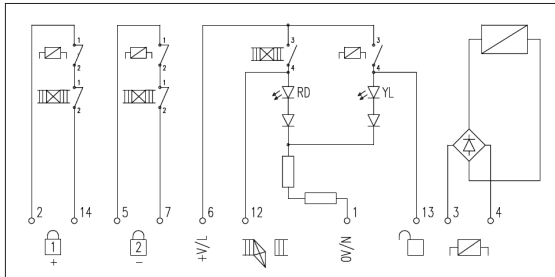
proLok+ Body - Pushbutton / Lamps / Sensor Selecting / Ordering Information			
proLok+ Body	Part No. L0		<p><b>Label Information</b> Labels for each button:- 2 Lines of 10 Characters</p>
2. Select proOption Body Buttons / Lamps / Switches	Button Type	Colour / Option	Part No.
<p><b>Ordering Sequence</b> 1 - Top Left 2 - Top Right 3 - Bottom Left 4 - Bottom Right</p>	Illuminated Buttons:	Red	R
		Yellow	Y
		Green	G
		Blue	B
		White	W
		E-Stop (Twist)	U
	Non-illuminated Buttons:	Black	K
		E-Stop (Twist)	E
		E-Stop (Pull)	P
	Lamps:	Red	1
		Yellow	2
		Green	3
		Blue	6
		White	7
Illuminated Selector Switch:	Latching	L	
	Momentary	M	
Blank:	No Button Fitted	0	

3. Select Sensor Type if required.	Sensor:	No Sensor	N
		Magnetic Sensor - Left Hand	C
		Magnetic Sensor - Right Hand	D
		RFID Sensor - Left Hand	S
		RFID Sensor - Right Hand	T

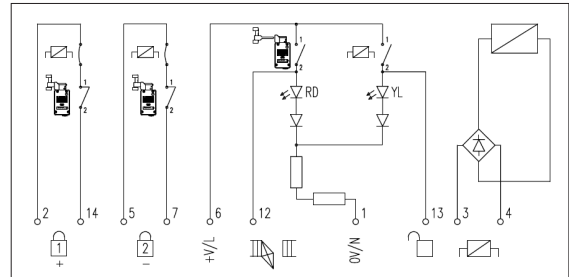
Electrical Switching / Locking

**proLok+** - Extended Solenoid Controlled Body including extra control functionality  
- Standard, Power to Lock and ASi

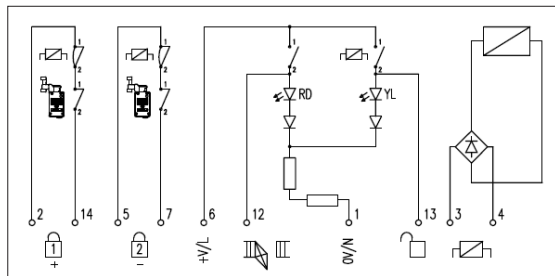
**proLok+ Standard Wiring Diagram**



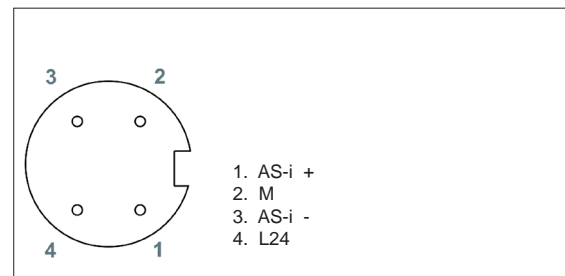
**proLok+ Power to Lock Wiring Diagram**



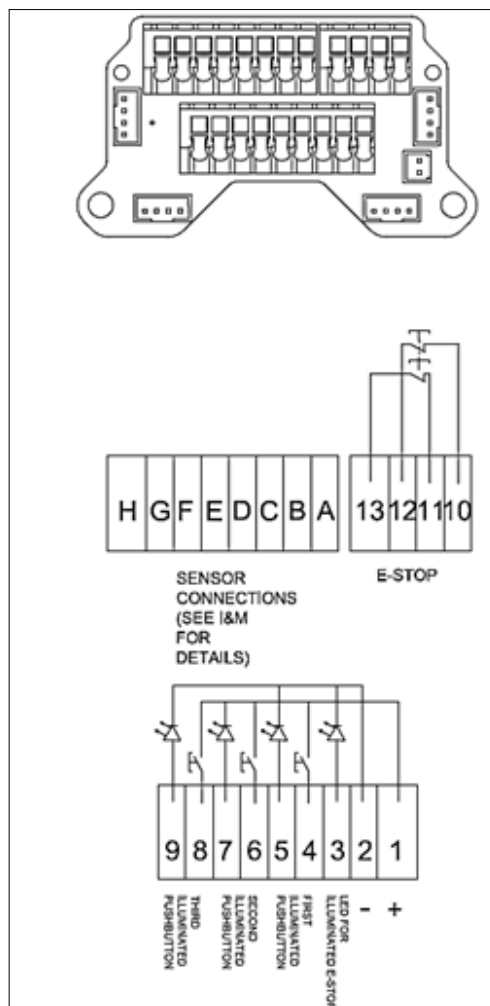
**proLok+ Un-Monitored Solenoid Wiring Diagram**



**proLok+ ASi Wiring Diagram**



**Terminal Layout for Pushbuttons and Sensor**

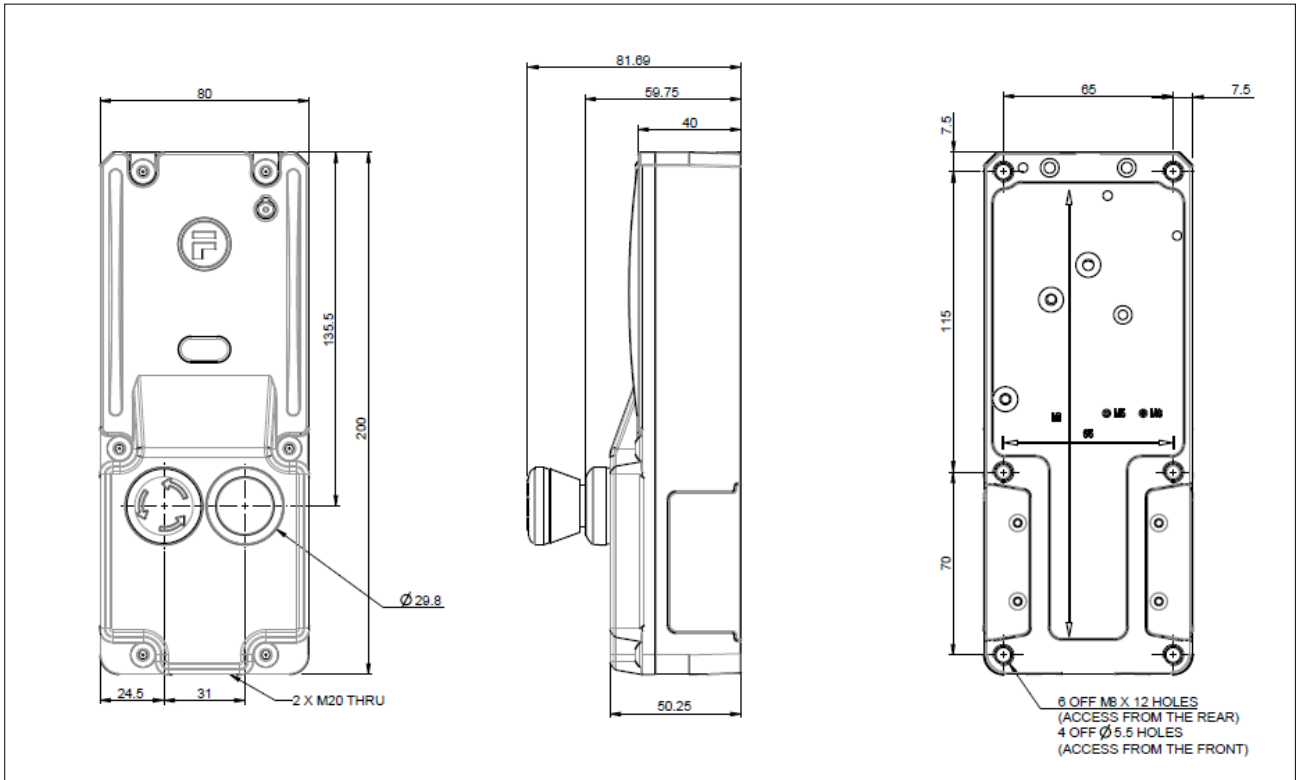


Electrical Switching / Locking

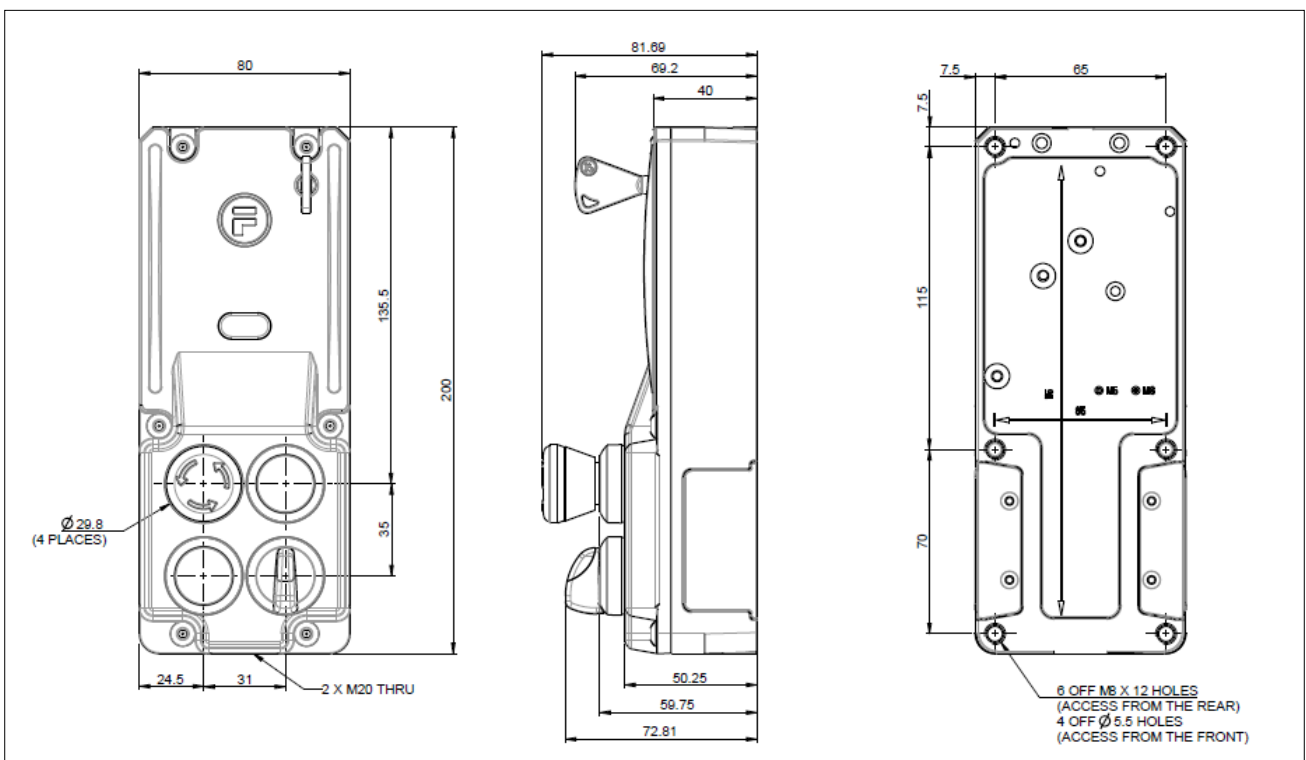
**proLok+** - Extended Solenoid Controlled Body including extra control functionality  
- Standard, Power to Lock and ASi

**proLok+ Dimension Drawings**

2 Position Pushbutton / Lamps



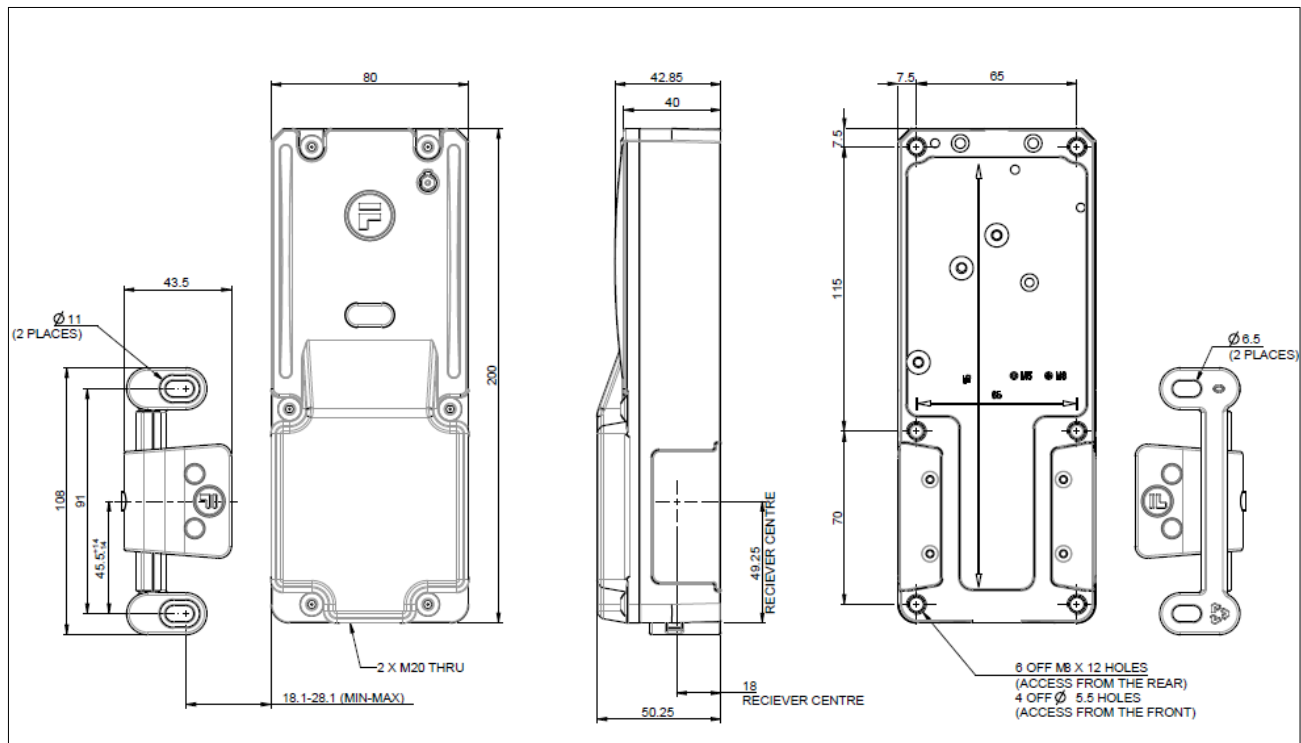
4 Position Pushbutton / Lamps



Electrical Switching / Locking

**proLok+** - Extended Solenoid Controlled Body including extra control functionality  
- Standard, Power to Lock and ASi

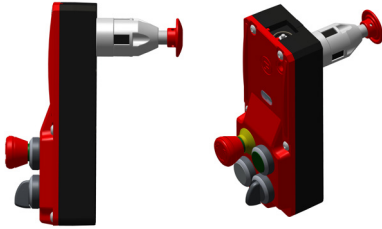
Sensor Dimension Drawing



Befindet sich z.Zt. noch in der Übersetzung

Electrical Switching / Locking

**proLokIR+ - Extended Solenoid Controlled Body with Escape Release**  
including extra control functionality



**proLokIR+** Extended Solenoid Controlled Body with Escape release is used to manage activities by means of a solenoid control element. There are three basic types, Standard, ASi and Individual Safety Circuits. It may be used to include the use of pushbuttons, selector switches, lamps, E-Stops, and/or Magnetic/RFID sensors within one enclosure. All feature an escape release mechanism that overrides the solenoid. The push button is designed to work through panels up to 55mm wide. An extension kit is available for thicker panels.

**NOTE!** The escape release mechanism will not override any lock adaptors fitted above.

**proLokIR+ - Standard**

**proLokIR+ - AS-interface**

**proLokIR+ - Individual**

On supplying power to the solenoid the unit becomes unlocked. This is the recommended set up for most machine guarding applications. A special key driven override facility is included to unlock the unit in the event of a power failure.

- LED indicators for status identification.
- Ideal for machines with run-down cycles
- To be used with safety relay and/or safety PLC control systems.
- On activation of escape release the safety contacts are broken.

On supplying power to the solenoid the unit becomes unlocked. This is the recommended set up for most machine guarding applications. A special key driven override facility is included to unlock the unit in the event of a power failure.

- Ideal for machines with run-down cycles
- LED indicators for status identification
- To be used with safety relay and/or safety PLC control systems.
- For use in AS-i Safe environments
- On activation of escape release the safety contacts are broken.

On supplying power to the solenoid the unit becomes unlocked. This is the recommended set up for most machine guarding applications. A special key driven override facility is included to unlock the unit in the event of a power failure.

- Ideal for machines with run-down cycles
- LED indicators for status identification
- To be used with safety relay and/or safety PLC control systems.
- On activation of escape release the safety contacts are broken.
- Solenoid monitored by 1 x NC volt free contact and 1 x NO contact (input shared with head).
- Head monitored by 1 x NC volt free contact and 1 x NO contact (input shared with solenoid).

Approvals



proLokIR+ Technical Specification		Standard proLokIR	ASi proLokIR	Individual Safety Contacts proLokIR
Housing Materials	Zinc Alloy to BSEN12844	•	•	•
Paint Finishes	Gloss Powder Coat on Passivated Base Material	•	•	•
Ingress Protection	IP67	•	•	•
Mechanical Life	>1,000,000 Switching Cycles	•	•	•
Performance Level		PLe	PLe	PLe
Ambient Temperature	-5°C to + 40°C (23°F to 104°F)	•	•	•
Switches Conformance	DIN VDE 0060 Part 206 & IEC 947-5-1	•	•	•
Actuator Contact		2NC 1NO	2NC 1NO	1NC 1NO
Solenoid Contacts		2NC 1NO	2NC 1NO	1NC 1NO
Safety Circuit Switching Principal	Positive Break	•	•	•
Maximum Switch Current	3A	•	•	•
Minimum Switch Current	1mA at 5 VDC	•	•	•
Maximum Switching Voltage	230V AC Max	•	•	•
Control Voltages	24V ac/dc, 110V ac, 230V ac	•	•	•
Solenoid Power Rating	12W (Solenoid current at Nominal 24V dc = 500mA. Quasient current = 350mA).	•	•	•
Solenoid Rating (Duty Cycle)	100%	•	•	•
Solenoid Voltage	24V ac/dc, 110V ac, 230V ac	•	•	•
Solenoid Voltage Tolerance	90% to 110% of nominal	•	•	•
Connector Type	M12 male	•	•	•
Cable Size	26 - 14 AWG	•	•	•
B10d	5,000,000	•	•	•
Quick Disconnects*	Various Options	•	•	•

\* depending on application

**NOTICE!**

If, as a result of risk assesment, it cannot be discounted that persons can be enclosed within a danger zone, the guard locks with additional removeable keys (safety keys) must be used or comparable measures must be taken - GS ET 19.

proLokIR+ Option Pod Technical Specification		Lamps	Push button	Sensor
Performance Level	PLe			•
B10d	7,300,000			•
Connector Type	Spring Activated Vibration Proof Block	•	•	•
Control Voltages	24V DC	•	•	•
Lamp Life	100,000 hrs on time	•	•	
Switches Conformance	DIN VDE 0060 Part 206 & IEC 947-5-1		•	
Switching Contact Element	Emergency Stop - 2NC		•	
	Pushbutton - 1NO		•	
	RFID - 2NC 1NO			•
EStop Switching Principle	Coded Magnet - 2NC			•
	Positive Break		•	

**proLokIR+ - Extended Solenoid Controlled Body with Escape Release including extra control functionality**

proLok+IR Ordering Information				
Version	Control Voltage	Solenoid Voltage	Sourcing*	Part No.
Standard	24V AC/DC	24V AC/DC	✓	LE411
Standard	110V AC	110V AC	✓	LE111
Standard	230V AC	230V AC	✓	LE211
ASI	24V AC/DC	24V AC/DC	N/A	LE811
Individual	24V AC/DC	24V AC/DC	✓	LE418
Individual	110V AC	110V AC	✓	LE118
Individual - Power to Lock	24V AC/DC	24V AC/DC	✓	LE468
Individual - Power to Lock	110V AC	110V AC	✓	LE168

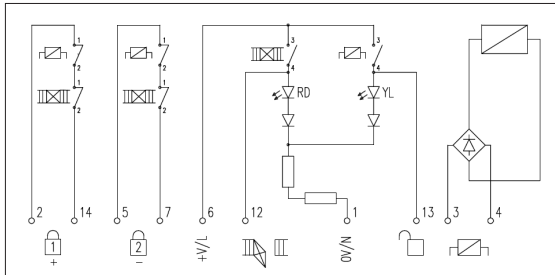
\* Sourcing output supplied as standard, Sinking option available on request

proLok+IR Body - Pushbutton / Lamps / Sensor Selecting / Ordering Information			
proLok+ Body	Part No. L0	  <p><b>Laser Engraving Information</b> Engraving for each button:- 2 Lines of 8 Characters</p>	
2. Select proOption Body Buttons / Lamps / Switches	Button Type	Colour / Option	Part No.
 <p><b>Ordering Sequence</b> 1 - Top Left 2 - Top Right 3- Bottom Left 4 - Bottom Right</p>	Illuminated Buttons:	Red	R
		Yellow	Y
		Green	G
		Blue	B
		White	W
		E-Stop (Twist)	U
	Non-illuminated Buttons:	Black	K
		E-Stop ( with additional monitoring contacts, twist release)	H
		E-Stop (Twist)	E
		E-Stop (Pull)	P
	Lamps:	Red	1
		Yellow	2
		Green	3
		Blue	6
		White	7
Illuminated Selector Switch:	Latching	L	
	Momentary	M	
	Latching Selector Switch (1NO 1NC)	V	
	Latching Key Switch	A	
Blank:	No Button Fitted	0	
3. Select Sensor Type if required.	Sensor:	No Sensor	N
		Magnetic Sensor - Left Hand	C
		Magnetic Sensor - Right Hand	D
		RFID Sensor - Left Hand	S
		RFID Sensor - Right Hand	T

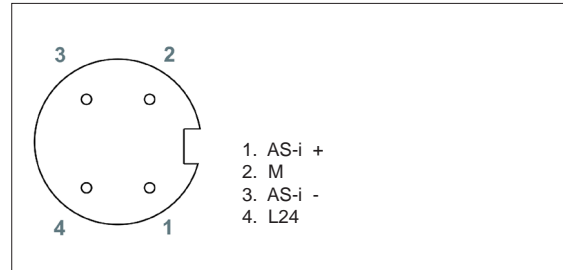
Electrical Switching / Locking

**proLokIR+** - Extended Solenoid Controlled Body with Escape Release including extra control functionality

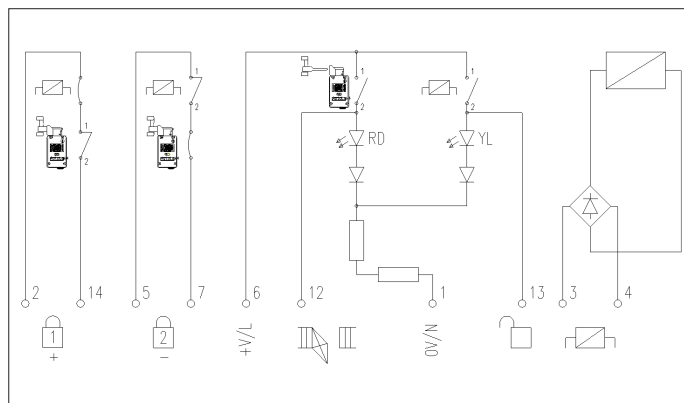
**proLokIR+ Standard Wiring Diagram**



**proLokIR+ ASi Wiring Diagram**



**proLokIR+ Individual Safety Circuits Wiring Diagram**



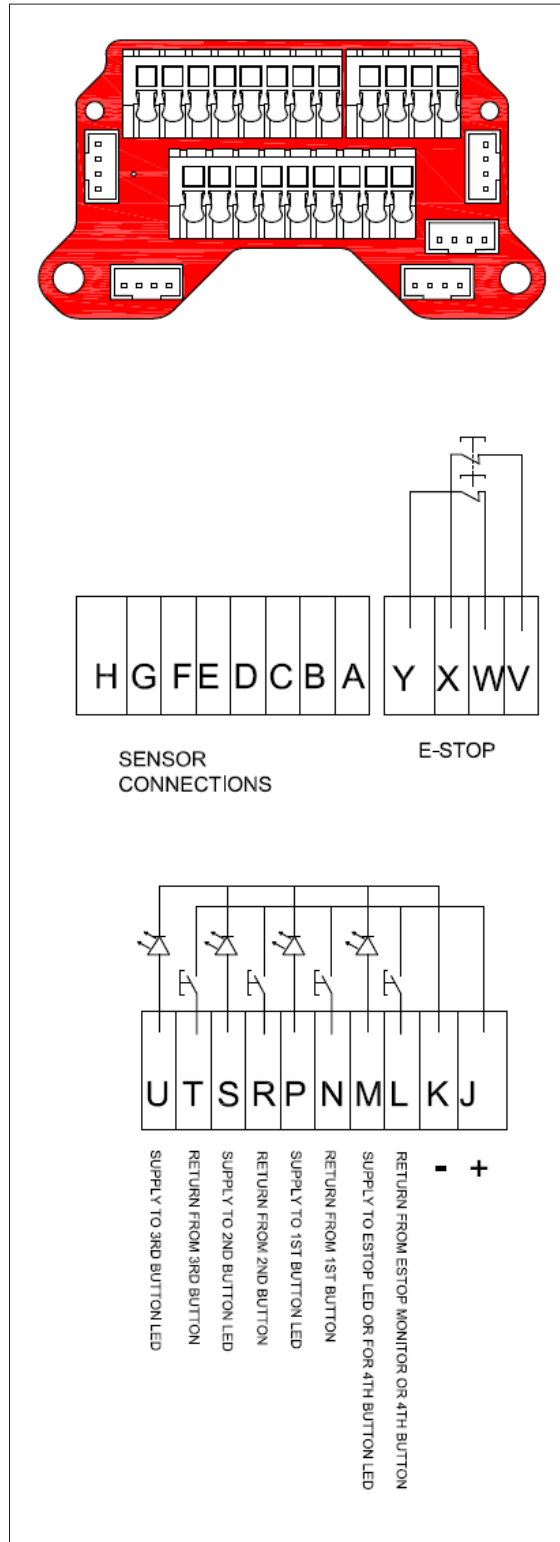


Electrical Switching / Locking

**proLokIR+** - Extended Solenoid Controlled Body with Escape Release including extra control functionality

Terminal Layout for  
Pushbuttons and  
Sensor

Terminal Layout - Version 2  
Red PCB

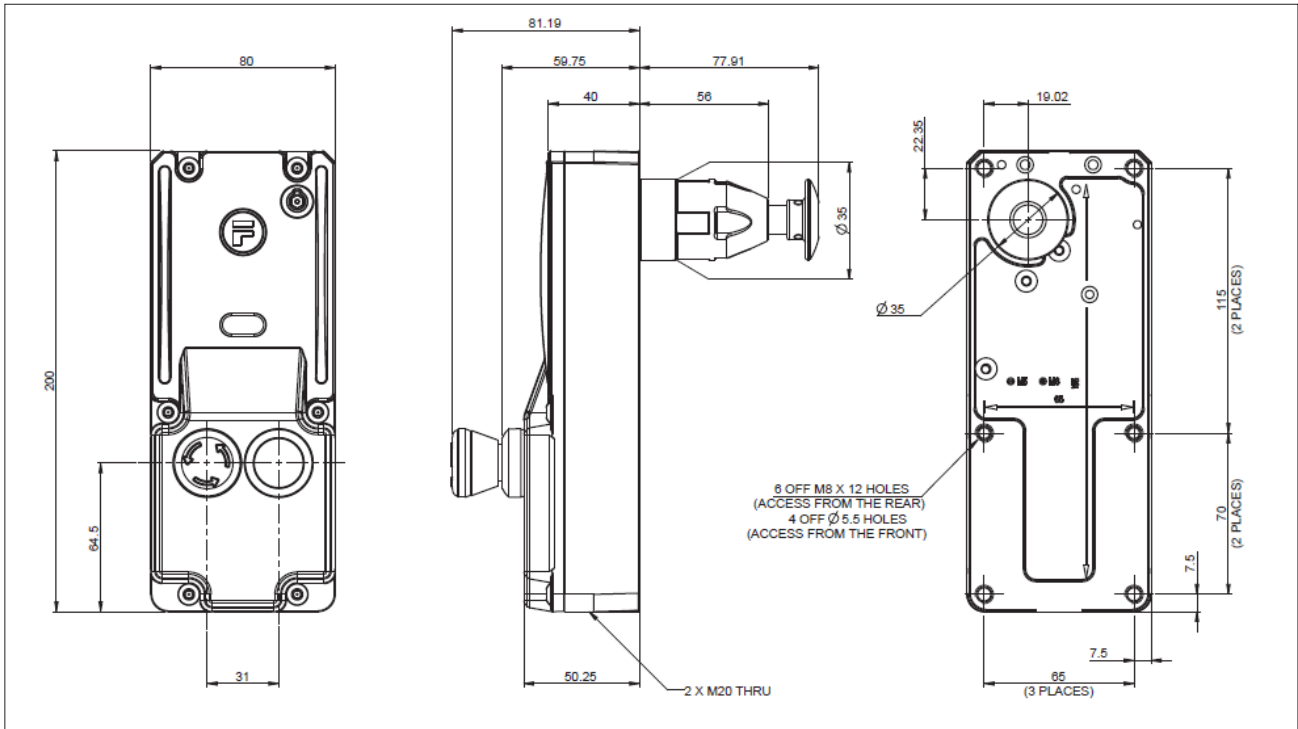


Electrical Switching / Locking

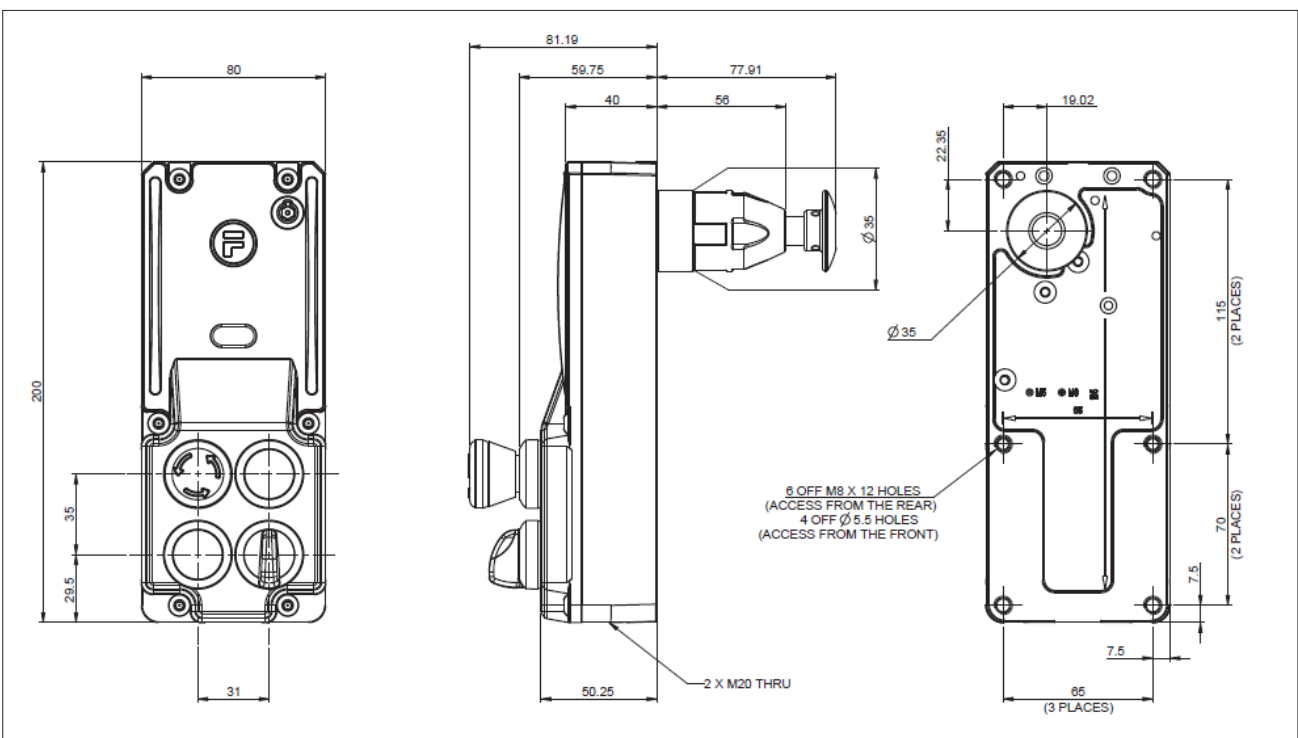
**proLokIR+** - Extended Solenoid Controlled Body with Escape Release including extra control functionality

proLok+IR Dimension Drawings

2 Position Pushbutton / Lamps



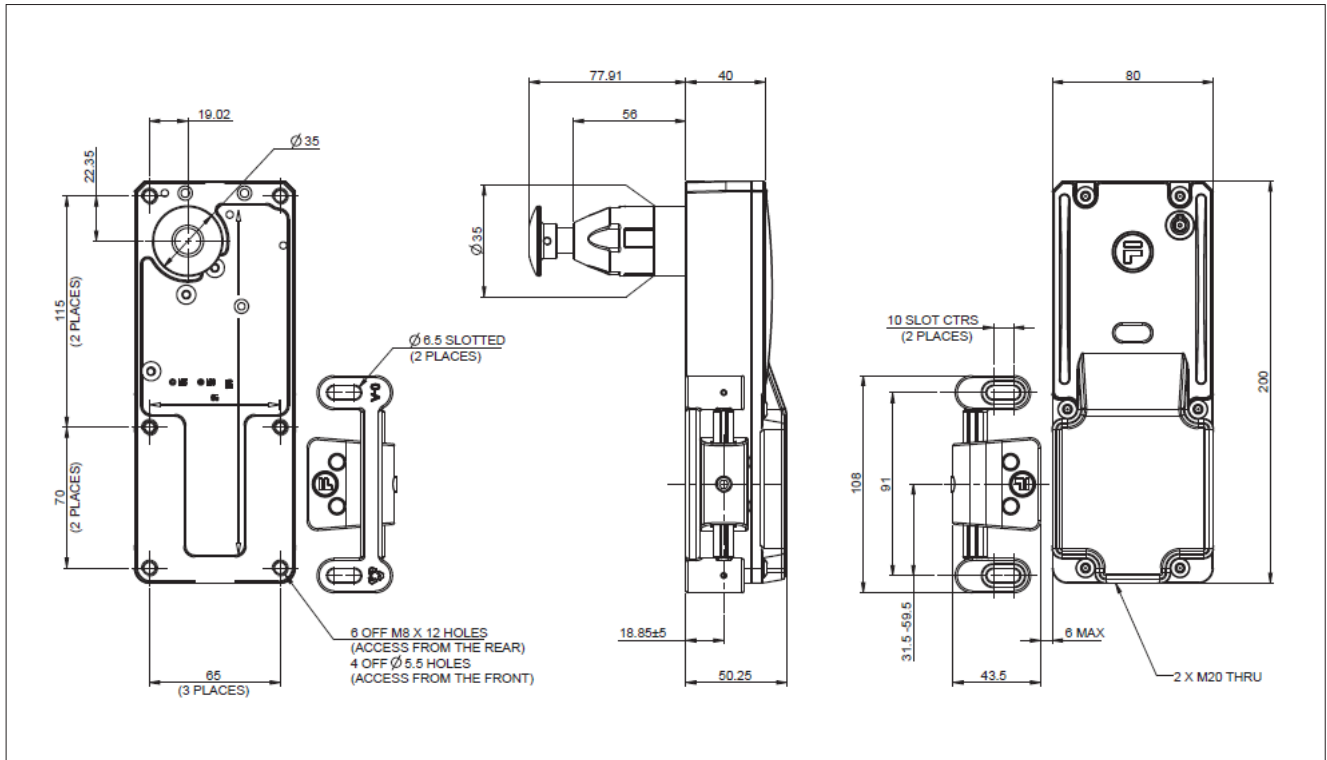
4 Position Pushbutton / Lamps



Electrical Switching / Locking

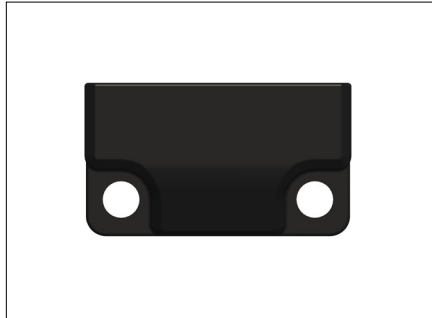
**proLokIR+-** Extended Solenoid Controlled Body with Escape Release including extra control functionality

Sensor Dimension Drawing



Electrical Switching / Locking

**proFoot**



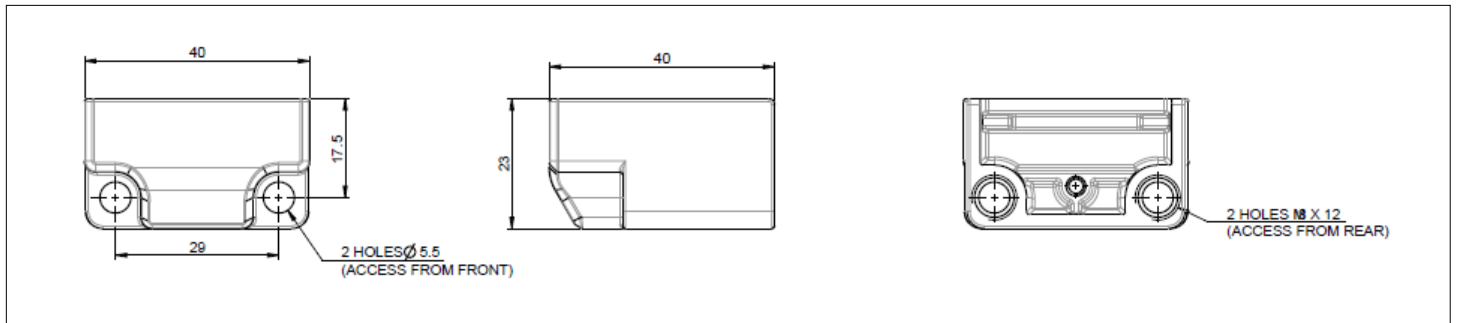
**proFoot**

- To terminate non-switch configurations
- Secures unit firmly to mounting surface.
  - Removeable to allow for modification.
  - For use in trapped key solutions.
  - Seals from dust ingress.

<b>proFoot Technical Specification</b>	
Materials	Zinc Alloy to BSEN12844
Paint Finish	30% Gloss Powder Black on Passivated Base Material
Ambient Temperature	-5°C to 80°C (23°F to 176°F)

<b>proFoot Ordering Information</b>		
Version	Part No.	Item No.
Foot	FT0	ITM-00039394
* Item No. or Part No. can be used for quotation and ordering purposes.		

**Dimensional Drawing**



Electrical Switching / Locking

**proStop - Non Solenoid Switch Body - Standard**



Depressing the plunger breaks the dual safety circuits to shut down the motive power to the machine

**proStop - Standard**

Depressing the plunger breaks the dual safety circuits to shut down the motive power to the machine and makes the monitoring circuit.

- Ideal for quick access to machines with no or short run-down cycles
- LED indicators for status identification
- To be used with safety relay and/or safety PLC control systems
- European, Canadian and North American Approvals

Approvals



NOTICE!

If, as a result of risk assessment, it cannot be discounted that persons can be enclosed within a danger zone, then guard locks with additional removeable keys (safety keys) must be used or comparable measures must be taken - GS ET 19.

**proStop Technical Specification**

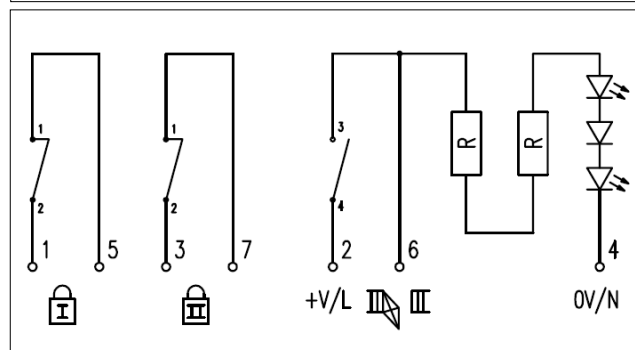
Housing Materials	Zinc Alloy to BSEN12844
Paint Finishes	Gloss Powder Coat on Passivated Base Material
Ingress Protection	IP67
Mechanical Life	>1,000,000 Switching Cycles
Performance Level	PLe
B10d	5,000,000
Ambient Temperature	-5°C to + 60°C (23°F to 140°F)
Maximum Frequency of Ops	7,200 per hour
Connector Type	Spring Activated Vibration Proof Block
Switches Conformance	DIN VDE 0060 Part 206 & IEC 947-5-1
Switching Contact Element	2NC and 1NO
Safety Circuit Switching Principal	Positive Break (2N/C)
Maximum Switch Current	3A
Minimum Switch Current	1mA at 5VDC
Maximum Switching Voltage	230V AC Max
Utilisation Category	AC 15 or DC 13
Control Voltages	24V ac/dc, 110V ac, 230V ac
Insulating Voltage	2500V AC
Insulating Resistance	20M Ohm
Cable Size	26 - 14 AWG
B10d	5,000,000

**proStop - Standard Ordering Information**

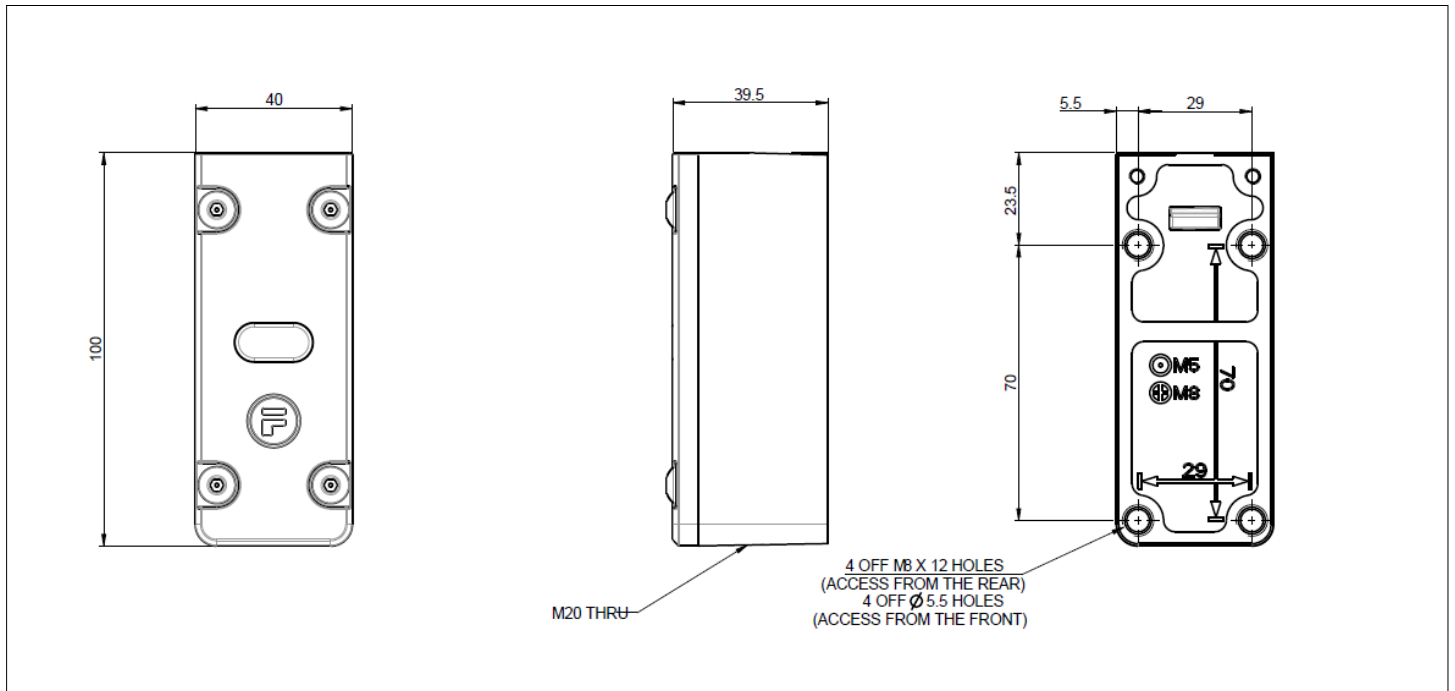
Version	Control Voltage	Part No.	Item No.
Standard	24V AC/DC	ST401	ITM-00039387
Standard	110V AC	ST101	ITM-00039383
Standard	230V AC	ST201	ITM-00039386

\* Sourcing output supplied as standard, Sinking option available on request.  
\* The Item No. or Part No. can be quoted for quotation and ordering purposes

**Wiring Diagram - proStop**



**Dimensional Drawing**



Electrical Switching / Locking

proLok - Solenoid Controlled Body - Standard, Power to Lock and ASi



**proLok** Solenoid Controlled Body is used to manage activities by means of a solenoid control element. There are three basic types, Standard, Power to Lock and ASi.

**NOTE!** Standard, Power to Lock and ASi body types have 2 derivatives, normal and releasing. The releasing version is the type that **MUST** be used if used in conjunction with any type of internal release function (push I/R) or all in one head module with IR Handle.

proLok - Standard	proLok - Power to Lock	proLok - AS-interface	proLok - Un-Monitored Solenoid
<p>On supplying power to the solenoid the unit becomes unlocked. This is the recommended set up for most machine guarding applications. A special key driven override facility is included to unlock the unit in the event of a power failure. Available in Standard and Releasing Versions.</p> <ul style="list-style-type: none"> <li>• LED indicators for status identification.</li> <li>• Ideal for machines with run-down cycles</li> <li>• Split voltage available on request.</li> <li>• To be used with safety relay and/or safety PLC control systems.</li> </ul>	<p>On supplying power to the solenoid the unit becomes locked. This is not the recommended set up for most machine guarding applications. However, it allows faster access and exit in the event of a power failure. Available in Standard and Releasing Versions.</p> <ul style="list-style-type: none"> <li>• LED indicators for status identification.</li> <li>• Split voltage available on request.</li> <li>• To be used with safety relay and/or safety PLC control systems.</li> </ul>	<p>On supplying power to the solenoid the unit becomes unlocked. This is the recommended set up for most machine guarding applications. A special key driven override facility is included to unlock the unit in the event of a power failure. Available in Standard and Releasing Versions.</p> <ul style="list-style-type: none"> <li>• Ideal for machines with run-down cycles</li> <li>• LED indicators for status identification</li> <li>• To be used with safety relay and/or safety PLC control systems.</li> <li>• For use in AS-i Safe environments</li> </ul>	<p>On supplying power to the solenoid the unit becomes unlocked, however only a single monitoring contact is closed. This is a popular configuration for where the solenoid performs a process control rather than safety function. A special key driven override facility is included to unlock the unit in the event of a power failure. Available in Standard and Releasing Versions.</p> <ul style="list-style-type: none"> <li>• LED indicators for status identification.</li> <li>• To be used with safety relay and/or safety PLC control systems.</li> </ul>

Approvals



**NOTICE!**

If, as a result of risk assessment, it cannot be discounted that persons can be enclosed within a danger zone, the guard locks with additional removeable keys (safety keys) must be used or comparable measures must be taken - GS ET 19.

proLok Technical Specification		Standard proLok	Power to Lock proLok	ASi proLok	Un-Monitored Solenoid proLok
Housing Materials	Zinc Alloy to BSEN12844	•	•	•	•
Paint Finishes	Gloss Powder Coat on Passivated Base Material	•	•	•	•
Ingress Protection	IP67	•	•	•	•
Mechanical Life	>1,000,000 Switching Cycles	•	•	•	•
Performance Level		PLe	PLc to PLe*	PLe	PLc to PLe*
Ambient Temperature	-5°C to + 40°C (23°F to 104°F)	•	•	•	•
Switches Conformance	DIN VDE 0060 Part 206 & IEC 947-5-1	•	•	•	•
Actuator Contact		2NC 1NO	2NC 1NO	2NC 1NO	2NC 1NO
Solenoid Contacts		2NC 1NO	1NO	2NC 1NO	1NO
Safety Circuit Switching Principal	Positive Break	•	•	•	•
Maximum Switch Current	3A	•	•	•	•
Minimum Switch Current	1mA at 5 VDC	•	•	•	•
Maximum Switching Voltage	230V AC Max	•	•	•	•
Control Voltages	24V ac/dc, 110V ac, 230V ac	•	•	•	•
Solenoid Power Rating	12W (Solenoid current at Nominal 24V dc = 500mA. Quasiest current = 350mA).	•	•	•	•
Solenoid Rating (Duty Cycle)	100%	•	•	•	•
Solenoid Voltage	24V ac/dc, 110V ac, 230V ac	•	•	•	•
Solenoid Voltage Tolerance	90% to 110% of nominal	•	•	•	•
Connector Type	M12 male	•	•	•	•
Cable Size	26 - 14 AWG	•	•	•	•
B10d	5,000,000	•	•	•	•
Quick Disconnects*	Various Options	•	•	•	•

\* depending on application

proLok Ordering Information

Version	Control Voltage	Solenoid Voltage	Sourcing <sup>△</sup>	Part No.	Item No.
Standard	24V AC/DC	24V AC/DC	✓	SL411	ITM-00039044
Standard	110V AC	110V AC	✓	SL111	ITM-00039033
Standard	230V AC	230V AC	✓	SL211	ITM-00039040
Standard Releasing	24V AC/DC	24V AC/DC	✓	SR411	ITM-00039139
Standard Releasing	110V AC	110V AC	✓	SR111	ITM-00039130
Standard Releasing	230V AC	230V AC	✓	SR211	ITM-00039136
Power to Lock	24V AC/DC	24V AC/DC	✓	SL461	ITM-00040056
Power to Lock	110V AC	110V AC	✓	SL161	ITM-00040057
Power to Lock Releasing	24V AC/DC	24V AC/DC	✓	SR461	ITM-00040058
Power to Lock Releasing	110V AC	110V AC	✓	SR161	ITM-00040059
ASi	24V AC/DC	24V AC/DC	N/A	SL811	ITM-00039061
ASi Releasing	24V AC/DC	24V AC/DC	N/A	SR811	ITM-00039154
Un-Monitored Solenoid	24V AC/DC	24V AC/DC	✓	SL416	ITM-00039049
Un-Monitored Solenoid	110V AC	110V AC	✓	SL116	ITM-00039038
Un-Monitored Solenoid	230V AC	230V AC	✓	SL216	ITM-00039043

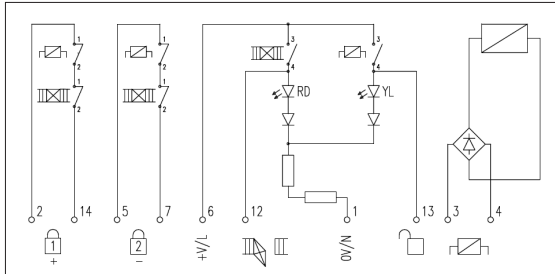
<sup>△</sup> Sourcing output supplied as standard, Sinking option available on request

The Item No. or Part No. can be quoted for quotation and ordering purposes.

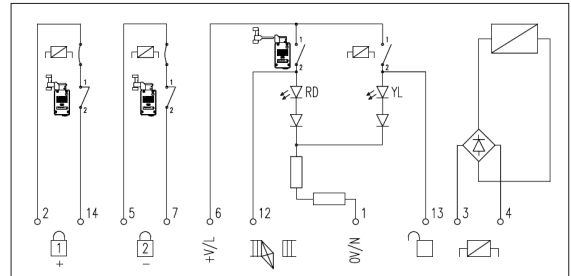
Electrical Switching / Locking

**proLok** - Solenoid Controlled Body - Standard, Power to Lock and ASi

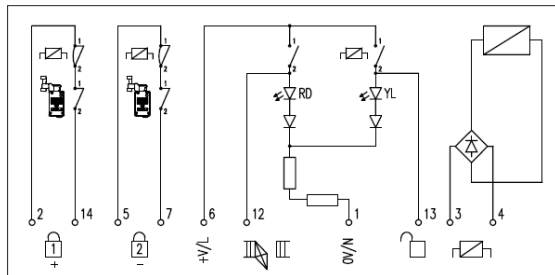
**proLok Standard Wiring Diagram**



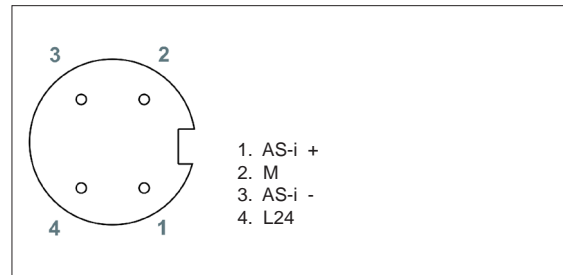
**proLok Power to Lock Wiring Diagram**



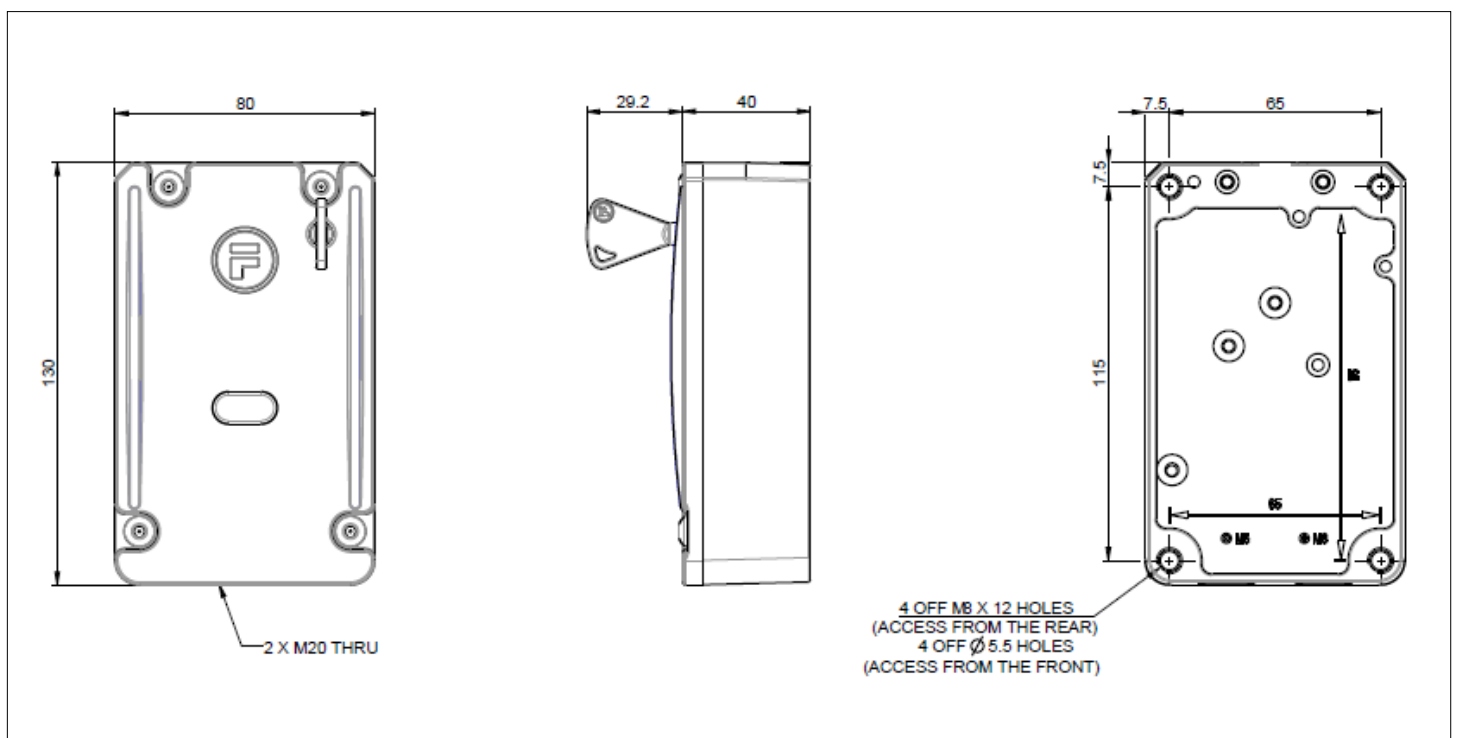
**proLok Un-Monitored Solenoid Wiring Diagram**



**proLok ASi Wiring Diagram**



**Dimensional Drawing**

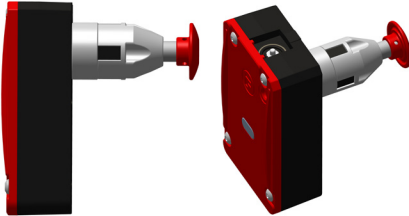




Befindet sich z.T. noch in der Übersetzung

Electrical Switching / Locking

**proLokIR** - Solenoid Controlled Body with Escape Release



**proLokIR** Solenoid Controlled Body with Escape Release is used to manage activities by means of a solenoid control element. There are three basic types, Standard, ASi and Individual Safety Circuits. All feature an escape release mechanism that overrides the solenoid. The push button is designed to work through panels up to 55mm wide. An extension kit is available for thicker panels.

**NOTE!** The escape release mechanism will not override any lock adaptors fitted above.

**proLokIR - Standard**

On supplying power to the solenoid the unit becomes unlocked. This is the recommended set up for most machine guarding applications. A special key driven override facility is included to unlock the unit in the event of a power failure.

- LED indicators for status identification.
- Ideal for machines with run-down cycles
- To be used with safety relay and/or safety PLC control systems.
- On activation of escape release the safety contacts are broken.

**proLokIR - AS-interface**

On supplying power to the solenoid the unit becomes unlocked. This is the recommended set up for most machine guarding applications. A special key driven override facility is included to unlock the unit in the event of a power failure.

- Ideal for machines with run-down cycles
- LED indicators for status identification
- To be used with safety relay and/or safety PLC control systems.
- For use in AS-i Safe environments
- On activation of escape release the safety contacts are broken.

**proLokIR - Individual**

On supplying power to the solenoid the unit becomes unlocked. This is the recommended set up for most machine guarding applications. A special key driven override facility is included to unlock the unit in the event of a power failure.

- Ideal for machines with run-down cycles
- LED indicators for status identification
- To be used with safety relay and/or safety PLC control systems.
- On activation of escape release the safety contacts are broken.
- Solenoid monitored by 1 x NC volt free contact and 1 x NO contact (input shared with head).
- Head monitored by 1 x NC volt free contact and 1 x NO contact (input shared with solenoid).

Approvals



**NOTICE!**

If, as a result of risk assesment, it cannot be discounted that persons can be enclosed within a danger zone, the guard locks with additional removeable keys (safety keys) must be used or comparable measures must be taken - GS ET 19.

proLokIR Technical Specification		Standard proLokIR	ASi proLokIR	Individual Safety Contacts proLokIR
Housing Materials	Zinc Alloy to BSEN12844	•	•	•
Paint Finishes	Gloss Powder Coat on Passivated Base Material	•	•	•
Ingress Protection	IP67	•	•	•
Mechanical Life	>1,000,000 Switching Cycles	•	•	•
Performance Level		PLe	PLe	PLe
Ambient Temperature	-5°C to +40°C (23°F to 104°F)	•	•	•
Switches Conformance	DIN VDE 0060 Part 206 & IEC 947-5-1	•	•	•
Actuator Contact		2NC 1NO	2NC 1NO	1NC 1NO
Solenoid Contacts		2NC 1NO	2NC 1NO	1NC 1NO
Safety Circuit Switching Principal	Positive Break	•	•	•
Maximum Switch Current	3A	•	•	•
Minimum Switch Current	1mA at 5 VDC	•	•	•
Maximum Switching Voltage	230V AC Max	•	•	•
Control Voltages	24V ac/dc, 110V ac, 230V ac	•	•	•
Solenoid Power Rating	12W (Solenoid current at Nominal 24V dc = 500mA. Quasient current = 350mA).	•	•	•
Solenoid Rating (Duty Cycle)	100%	•	•	•
Solenoid Voltage	24V ac/dc, 110V ac, 230V ac	•	•	•
Solenoid Voltage Tolerance	90% to 110% of nominal	•	•	•
Connector Type	M12 male	•	•	•
Cable Size	26 - 14 AWG	•	•	•
B10d	5,000,000	•	•	•
Quick Disconnects*	Various Options	•	•	•

\* depending on application

**proLokIR Ordering Information**

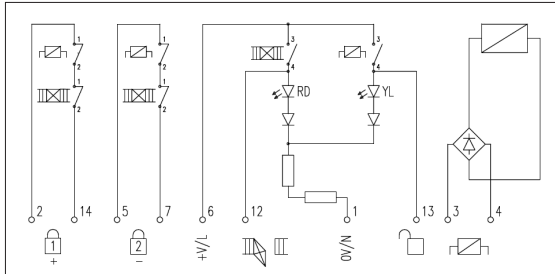
Version	Control Voltage	Solenoid Voltage	Sourcing <sup>△</sup>	Part No.
Standard	24V AC/DC	24V AC/DC	✓	SE411
Standard	110V AC	110V AC	✓	SE111
Standard	230V AC	230V AC	✓	SE211
ASi	24V AC/DC	24V AC/DC	N/A	SE811
Individual	24V AC/DC	24V AC/DC	✓	SE418
Individual	110V AC	110V AC	✓	SE118
Individual Power to Lock	24V AC/DC	24V AC/DC	✓	SE468
Individual Power to Lock	110V AC	110V AC	✓	SE168

<sup>△</sup> Sourcing output supplied as standard, Sinking option available on request

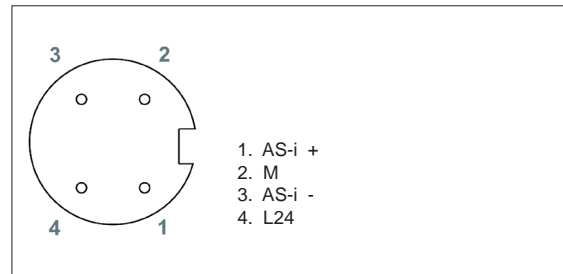
Electrical Switching / Locking

**proLokIR- Solenoid Controlled Body with Escape Release**  
- Standard, and ASi

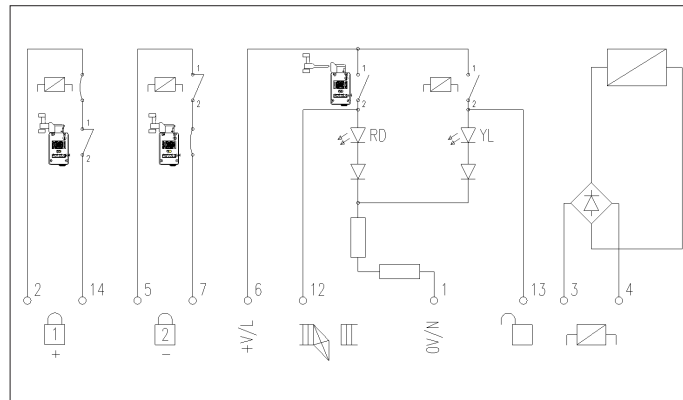
**proLokIR Standard Wiring Diagram**



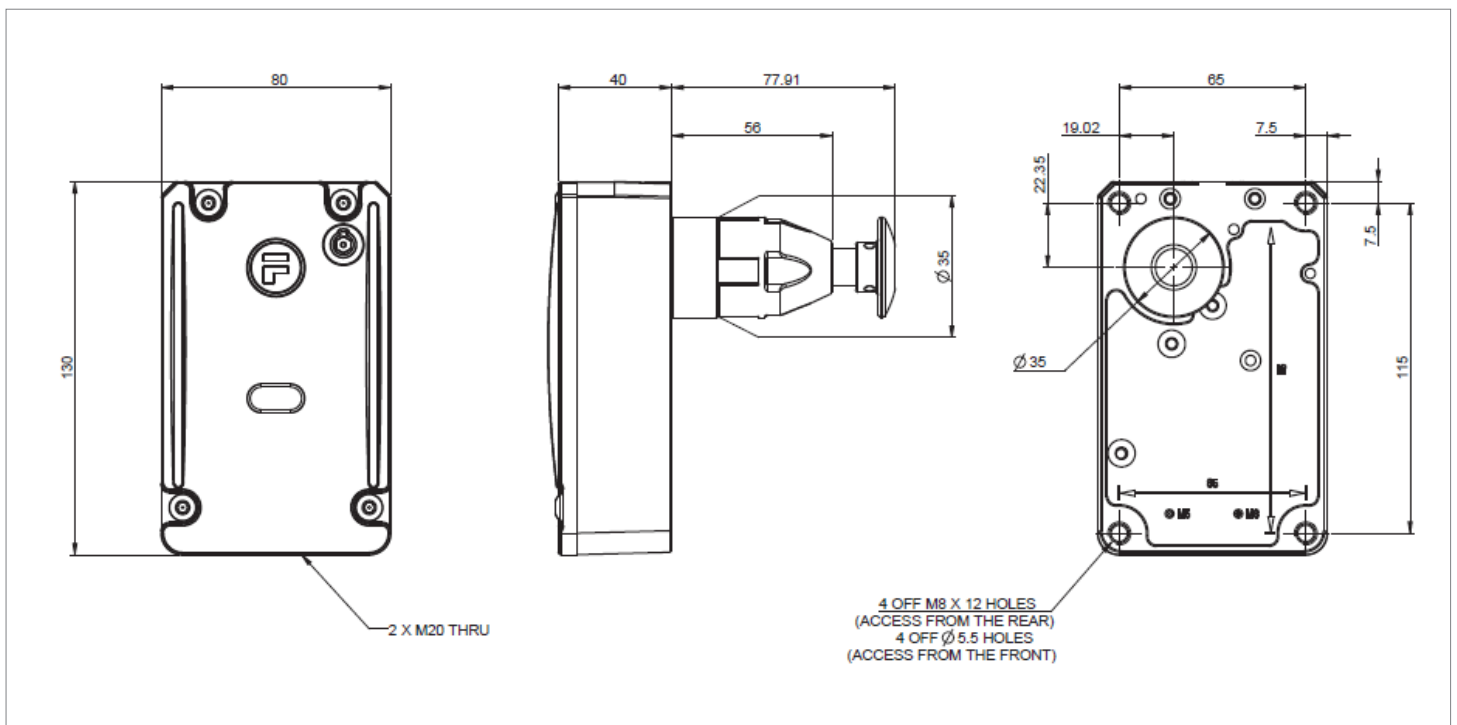
**proLokIR ASi Wiring Diagram**



**proLokIR Individual Safety Circuits Wiring Diagram (Option 8)**

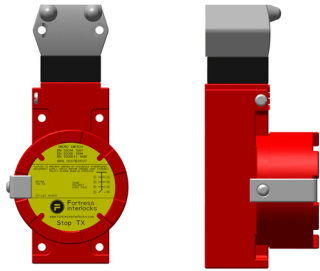


**Dimensional Drawing**



Electrical Switching / Locking

**proSTOPUX/EX - Explosion Protected Safety Switch Body**



**proSTOPUX:** UL/CSA certified product. Heavy duty explosion protected safety gate switch. Suitable for Zone 1 & 2 environments.

**proSTOPEX:** ATEX certified product. Heavy duty explosion protected safety gate switch. Suitable for Zone 1 & 2 environments.

**proStopUX/EX**

- Ideal for quick access to machines with no or short run-down cycles.
- Non-solenoid controlled.

**proStopUX/EX - Standard Ordering Information**

Version	Part No.	Item No.
ATEX	EX401	ITM-00039392
UL/CSA	UX401	ITM-00039393

\* The Item No. or Part No. can be quoted for quotation and ordering purposes

**NOTICE!**

If, as a result of risk assessment, it cannot be discounted that persons can be enclosed within a danger zone, the guard locks with additional removable keys (safety keys) must be used or comparable measures must be taken - GS ET 19.

Approvals

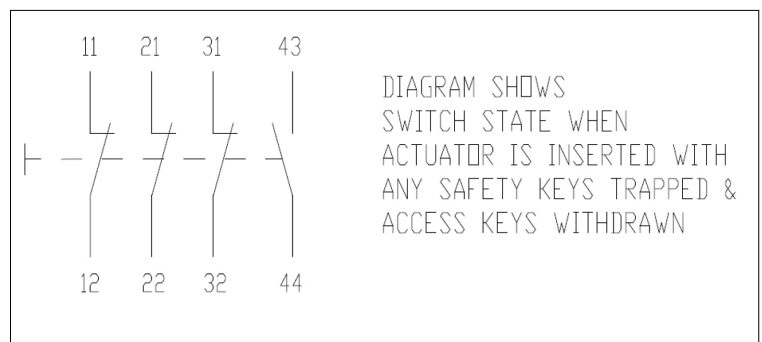


II 2G c

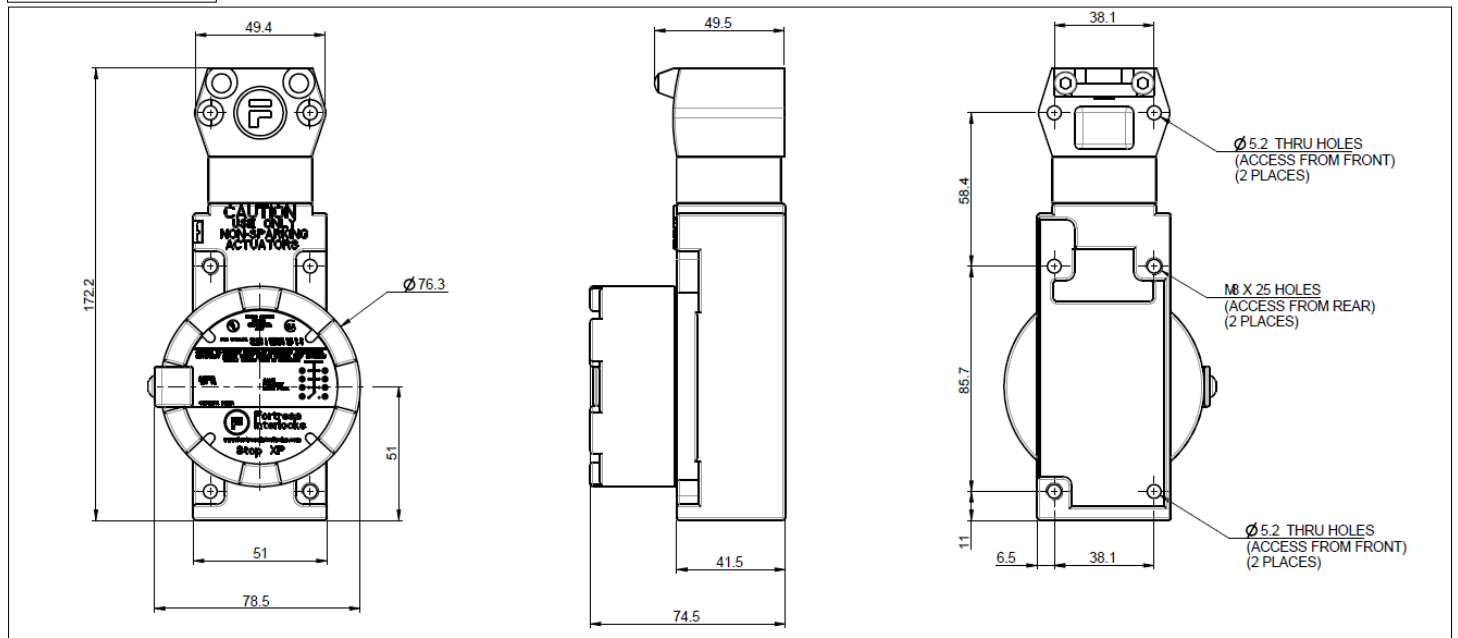
**proStopUX/EX Technical Specification**

Ceertification	UX-UL (#E61730) CSA (#LR57327) EX-ATEX-EN50014:1997, EN50018:1994 EN50281:1998, SIRA 00ATEX1037
Protection against Dust & Water	UX-NEMA 1,3,4,6,7,9 and 13/EX-IP67
Rated AC Voltage (IEC947-5-1)	AC15 A300, 24V, 720 VA
Rated DC Voltage (IEC947-5-1)	DC13 Q300, 240V ,69 VA
Material	Stainless Steel, Brass Aluminium & Zinc Alloy
Gland Entry	UX - 3/4" - 14 NPT/EX-M20
Safety Switch Type	Positive Break (N/C Contacts)
Contacts	3 N/C, 1 N/O
Switch Contact Gap	5mm
Operating Temperature	-12°C to 85°C (10°F to 185°F)

**Wiring Diagram - proStopUX/EX**

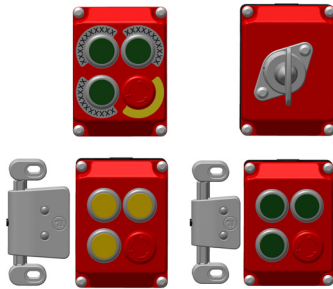


**Dimensional Drawing**



Option Pods

**proOption Pods - Lamps, Pushbuttons and Keyswitch**



**proOption Pod** module is used to either to add to an amGardpro unit, or use as a standalone product. It may be used to include the use of pushbuttons, selector switches, lamps, E-Stops, and/or Magnetic/RFID sensors within one enclosure. Alternatively, it can be used to house a keyswitch, controlled using a standard Fortress lock and key arrangement.

**proOption Pod - Lamps/Pushbuttons**

Lamp Option Pod is an Ideal complimentary module where multiple interlocks are used to enhanced identification of status. Pushbutton Option Pod is ideal for use as an emergency stop or request to start/stop.

**Lamps**

- Easy, clear identification of machine status.
- Can be configured up to three lamps.

**Pushbuttons**

- Request start/stop at the gate.
- Can be configured up to three pushbuttons.
- Illuminated pushbuttons.
- 2 Position selector switch.
- eStop.
  - 2 NC Safety contacts
  - Twist or Pull
  - Illuminated option for twist

**proOption Pod - Keyswitch**

The removal of the key operates a set of switches. These can be used for a variety of functions including:-

- Requesting machine stop at the end of a rundown cycle.
- Enabling teach mode activation.
- Preventing inadvertent re-start.
- Contains 2NC/2NO contact arrangement.
- Switch rating 3A.
- Can be used as a 'stand alone' key switch.

**proOption Pod - Sensors**

To provide a contactless means of verifying the door open/closed position. This may be used as the primary door sensor when a stand alone option pod is used, or as a means of adding a secondary (coded) door sensor to a full door interlock product.

- PLe
- Coded Magnet
- RFID Sensor

Approvals

proOption Pod Options				
Pushbuttons		Lamps	Selector Switch	Contactless Sensor
Illuminated	Non-illuminated			
Red	Black	Red	Illuminating Latching	Coded Magnet
Yellow	E-Stop (Twist release)	Yellow	Illuminating Momentary	RFID
Green	E-Stop (Pull release)	Green		
Blue		Blue		
White		White		
E-Stop (Twist)				

**proOption Pod Technical Specification**

		propod Lamps	propod Pushbutton	propod Keyswitch	propod Sensor
Housing Materials	Zinc Alloy to BS1004A	•	•	•	•
Paint Finishes	Gloss Powder Coat on Passivated bodies	•	•	•	•
Ingress Protection	IP67	•	•	•	•
Operating Force	0.5Nm			•	
Performance Level	PLe			•	•
B10d	5,000,000			•	
B10d	7,300,000				•
Ambient Temperature	-5°C to +60°C (23°F to 140°F)	•	•	•	•
Cable Size	26-14 AWG	•	•	•	•
Connector Type	Spring Activated Vibration Proof Block	•	•	•	•
Control Voltages	24V DC	•	•	•	•
Lamp Life	100,000 hrs on time	•	•		
Switches Conformance	DIN VDE 0060 Part 206 & IEC 947-5-1		•	•	
Switching Contact Element	Emergency Stop - 2NC		•		
	Pushbutton - 1NO		•		
	Keyswitch - 2NC/2NO			•	
	RFID - 2NC/1NO				•
	Coded Magnet - 2NC				•
Safety Switching Principal	Positive Break			•	
EStop Switching Principal	Positive Break		•		
Maximum Switch Current	3A		•	•	
Maximum Switching Voltage	230V ac		•	•	
Utilisation Category	AC 15 or DC 13		•		

Option Pods

proOption Pods - Lamps, Pushbuttons and Keyswitch

Keyswitch proOption Pod - Selecting / Ordering Information					
Option Pod Version	Lock Type	Lock Description	Key	Part No.	Item No.
Stand Alone Pod	CLIN	Standard CL lock no dustcover	x	BK01	ITM-00039403
Stand Alone Pod	CLIS	Standard CL lock with stainless steel dustcover	x	BK02	ITM-00039404
Stand Alone Pod	CLIL	Standard CL lock with padlockable stainless steel dustcover	x	BK03	ITM-00039405
Stand Alone Pod	MLIN	Masterable CL lock no dustcover	x	BK06	ITM-00039406
Stand Alone Pod	MLIS	Masterable CL lock with stainless steel dustcover	x	BK07	ITM-00039407
Stand Alone Pod	MLIL	Masterable CL lock with padlockable stainless steel dustcover	x	BK08	ITM-00039408
Stand Alone Pod	CLIN	Standard CL lock no dustcover	✓	BL01	ITM-00039421
Stand Alone Pod	CLIS	Standard CL lock with stainless steel dustcover	✓	BL02	ITM-00039422
Stand Alone Pod	CLIL	Standard CL lock with padlockable stainless steel dustcover	✓	BL03	ITM-00039423
Stand Alone Pod	MLIN	Masterable CL lock no dustcover	✓	BL06	ITM-00039424
Stand Alone Pod	MLIS	Masterable CL lock with stainless steel dustcover	✓	BL07	ITM-00039425
Stand Alone Pod	MLIL	Masterable CL lock with padlockable stainless steel dustcover	✓	BL08	ITM-00039426
To suit proStop Body	CLIN	Standard CL lock no dustcover	x	BK11	ITM-00039409
To suit proStop Body	CLIS	Standard CL lock with stainless steel dustcover	x	BK12	ITM-00039410
To suit proStop Body	CLIL	Standard CL lock with padlockable stainless steel dustcover	x	BK13	ITM-00039411
To suit proStop Body	MLIN	Masterable CL lock no dustcover	x	BK16	ITM-00039412
To suit proStop Body	MLIS	Masterable CL lock with stainless steel dustcover	x	BK17	ITM-00039413
To suit proStop Body	MLIL	Masterable CL lock with padlockable stainless steel dustcover	x	BK18	ITM-00039414
To suit proStop Body	CLIN	Standard CL lock no dustcover	✓	BL11	ITM-00039427
To suit proStop Body	CLIS	Standard CL lock with stainless steel dustcover	✓	BL12	ITM-00039428
To suit proStop Body	CLIL	Standard CL lock with padlockable stainless steel dustcover	✓	BL13	ITM-00039429
To suit proStop Body	MLIN	Masterable CL lock no dustcover	✓	BL16	ITM-00039430
To suit proStop Body	MLIS	Masterable CL lock with stainless steel dustcover	✓	BL17	ITM-00039431
To suit proStop Body	MLIL	Masterable CL lock with padlockable stainless steel dustcover	✓	BL18	ITM-00039432
To suit proLok Body	CLIN	Standard CL lock no dustcover	x	BK21	ITM-00039415
To suit proLok Body	CLIS	Standard CL lock with stainless steel dustcover	x	BK22	ITM-00039416
To suit proLok Body	CLIL	Standard CL lock with padlockable stainless steel dustcover	x	BK23	ITM-00039417
To suit proLok Body	MLIN	Masterable CL lock no dustcover	x	BK26	ITM-00039418
To suit proLok Body	MLIS	Masterable CL lock with stainless steel dustcover	x	BK27	ITM-00039419
To suit proLok Body	MLIL	Masterable CL lock with padlockable stainless steel dustcover	x	BK28	ITM-00039420
To suit proLok Body	CLIN	Standard CL lock no dustcover	✓	BL21	ITM-00039433
To suit proLok Body	CLIS	Standard CL lock with stainless steel dustcover	✓	BL22	ITM-00039434
To suit proLok Body	CLIL	Standard CL lock with padlockable stainless steel dustcover	✓	BL23	ITM-00039435
To suit proLok Body	MLIN	Masterable CL lock no dustcover	✓	BL26	ITM-00039436
To suit proLok Body	MLIS	Masterable CL lock with stainless steel dustcover	✓	BL27	ITM-00039437
To suit proLok Body	MLIL	Masterable CL lock with padlockable stainless steel dustcover	✓	BL28	ITM-00039438

Option Pods

proOption Pods - Lamps, Pushbuttons and Keyswitch

Pushbutton / Lamps / Sensor proOption Pod - Selecting / Ordering Information

**Body Version Rules:**

To configure this product:-

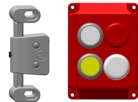
1. Select Body Version , eg B1



2. Select Buttons/Lamps, eg W E Y 7. \* Note if no button/Lamp required = 0



3. Select Sensors, eg C



All buttons/Lamps/Selector Switches are ordered in the following sequence:  
Top Left, Top Right, Bottom Left, Bottom Right.

Note: Only 1 E-Stop may be fitted into any assembly. All pushbuttons are rated at 24VDC max, switching capacity of 0.5A.

1.Select proOption Body	
Pushbutton / Lamp / Sensor proOption Pod Version	Part No.
Stand Alone Pod	B0
To suit proStop Body	B1
To suit proLok Body	B2

**Label Information**  
Labels for each button:-  
2 Lines of 10 Characters

2. Select proOption Body Buttons / Lamps / Switches

**Ordering Sequence**  
1 - Top Left  
2 - Top Right  
3- Bottom Left  
4 - Bottom Right

Button Type	Colour / Option	Part No.	
Illuminated Buttons:	Red	R	
	Yellow	Y	
	Green	G	
	Blue	B	
	White	W	
	E-Stop (Twist)	U	
Non-illuminated Buttons:	Black	K	
	E-Stop (Twist)	E	
	E-Stop (Pull)	P	
Lamps:	Red	1	
	Yellow	2	
	Green	3	
	Blue	6	
	White	7	
	Illuminated Selector Switch:	Latching	L
		Momentary	M
Blank:	No Button Fitted	0	

3. Select Sensor Type if required.

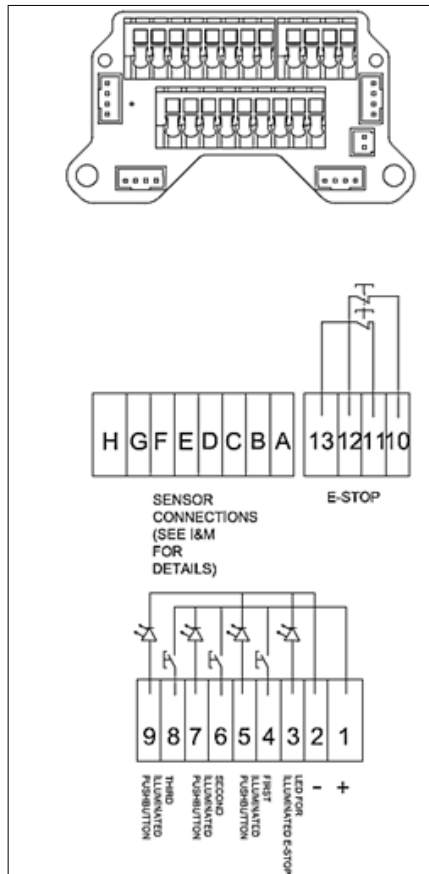
Sensor:	Part No.
No Sensor	N
Magnetic Sensor - Left Hand	C
Magnetic Sensor - Right Hand	D
RFID Sensor - Left Hand	S
RFID Sensor - Right Hand	T

Sensor:	Part No.
No Sensor	N
Magnetic Sensor - Left Hand	C
Magnetic Sensor - Right Hand	D
RFID Sensor - Left Hand	S
RFID Sensor - Right Hand	T

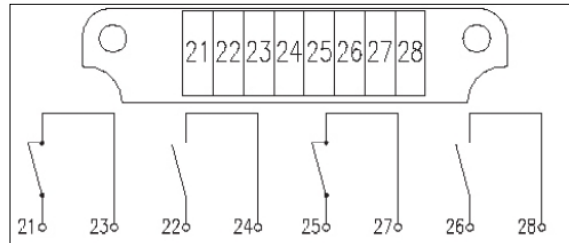
Option Pods

proOption Pods - Lamps, Pushbuttons and Keyswitch

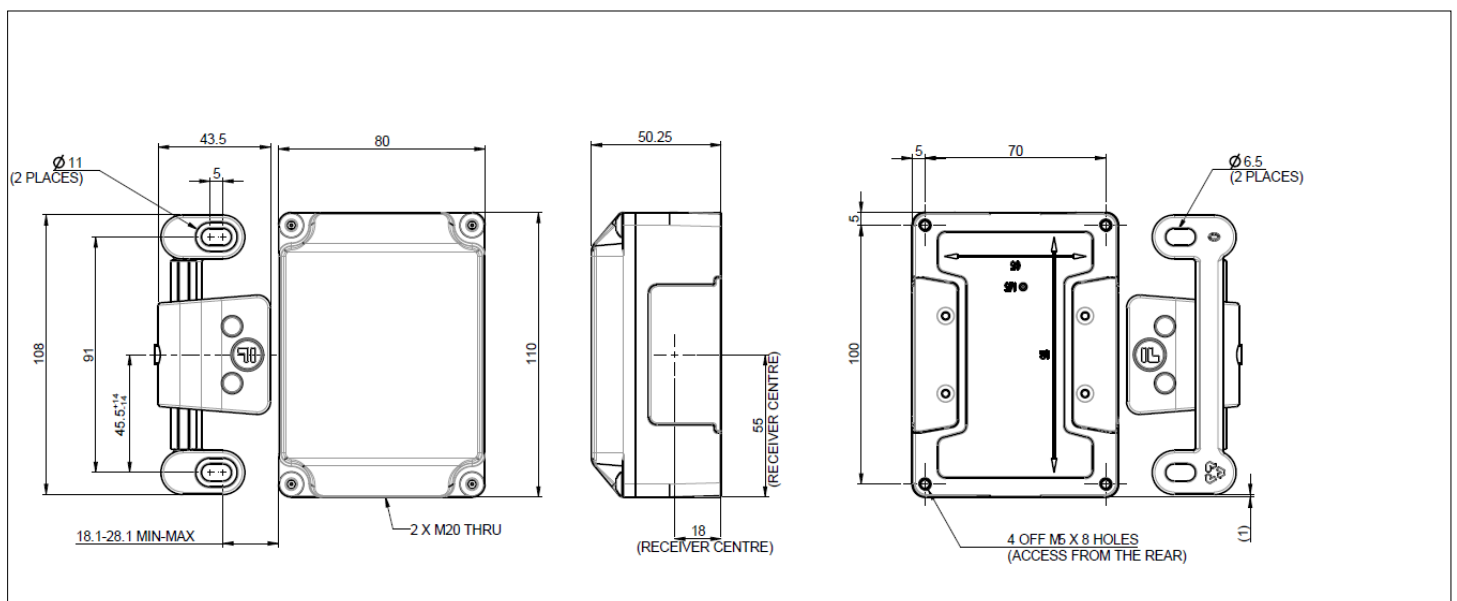
proOption Pod - Terminal Layout - Pushbuttons, Lamps and Sensors



proOption Pod - Keyswitch Wiring Diagram



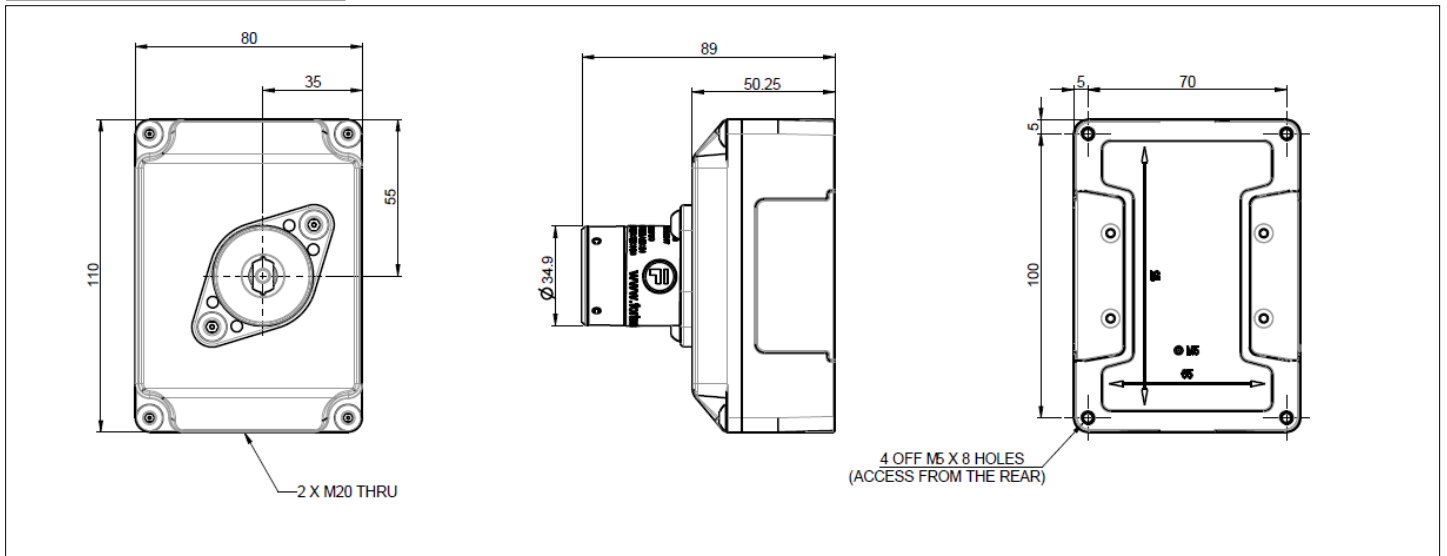
Sensor Dimensional Drawing



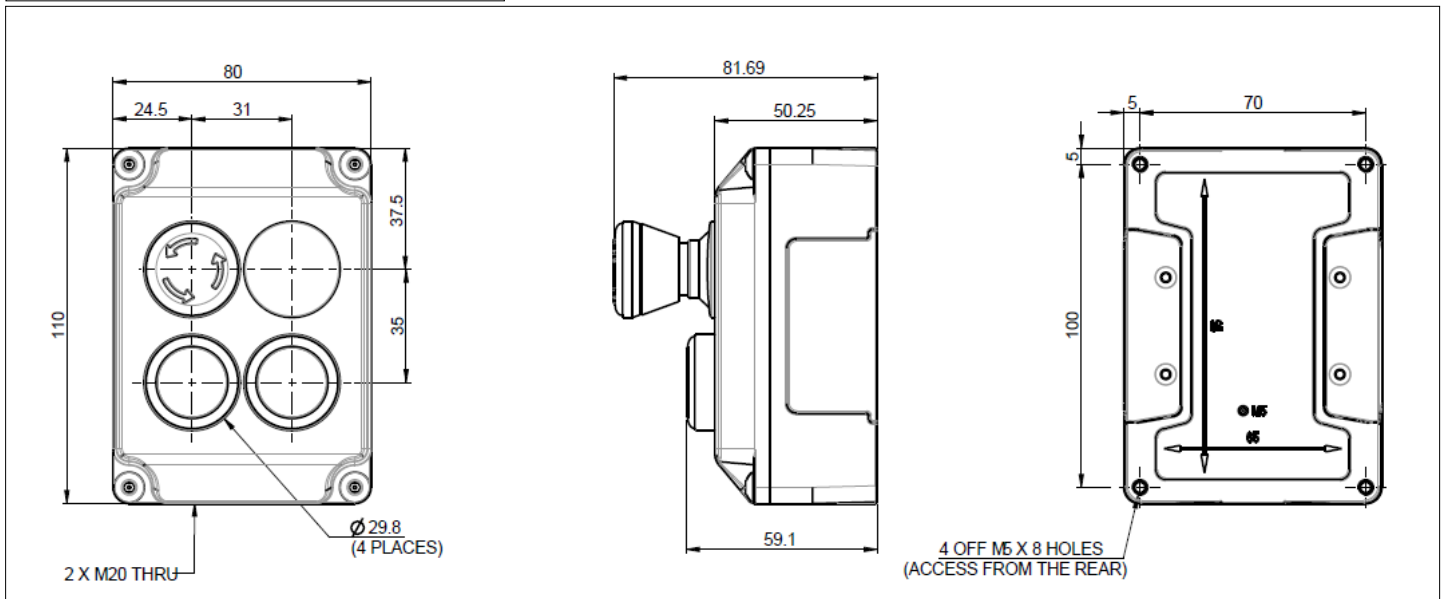
Option Pods

proOption Pods - Lamps, Pushbuttons and Keyswitch

Keyswitch Dimensional Drawing



4 Pushbutton / Lamp Dimensional Drawing



2 Pushbutton / Lamp Dimensional Drawing

